

Quantum Touch series



Placement and connections

This leaflet provides information about space- and connection requirements to ensure safe and successful installation, and operation of your coffee machine.

The installation technician takes care of equipment installation from the wall socket(s) and the water connection point. This excludes drilling of holes in the counter or table-top to guide power cords, hoses or chutes trough.

Please consult your local JDE Professional helpdesk for more information and explanation.

Please see the product brochure for more detailed information regarding range of available drinks, specifications, options and accessories.



Placement and connections

THE BASIS FOR GREAT COFFEE

Quantum Touch series



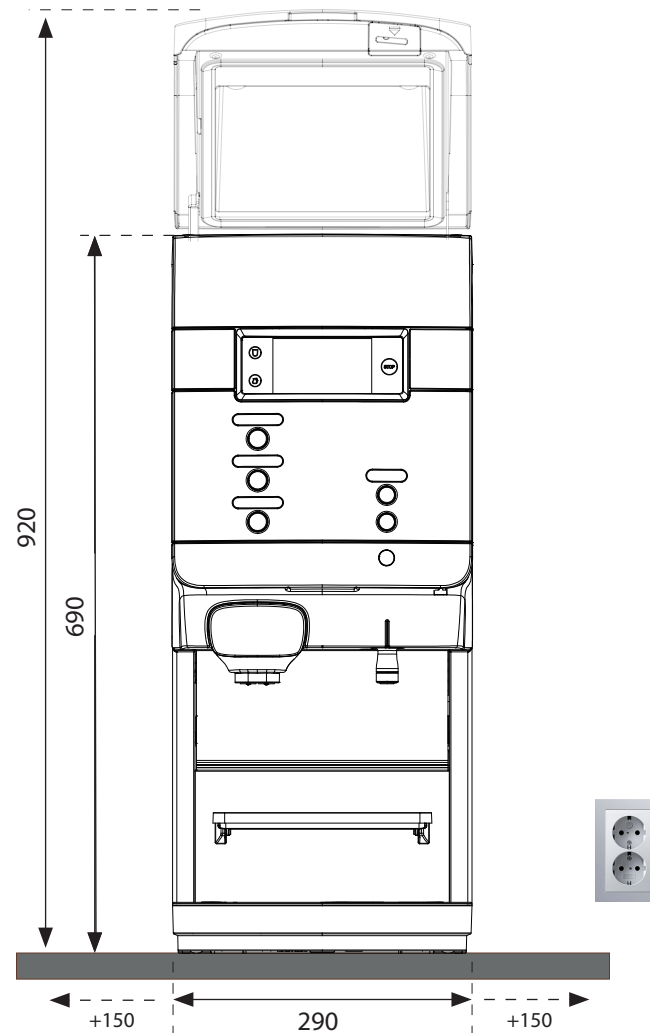
Placement and connections

Please observe the guidelines to maximize safety and performance

units of measurement = mm

Please consult your local JDE Professional helpdesk for more information and explanation.

Please see the product brochure for more detailed information regarding range of available drinks, specifications, options and accessories.



⚡ POWER SUPPLY

230VAC/50Hz, 16A Version

Power consumption (rated): 3150 W

Wall outlet with earth connection in compliance with your local regulations,

400V, 3N/50Hz, 16A Version

Power consumption (rated): **9450 W**

Perilex or CEE form outlet with earth connection in compliance with your local regulations,

Distance from machine : <1 mtr.

An additional power outlet is required for an optional cold water unit, or accessories/options.

💧 WATER CONNECTION

(in compliance with your local regulations)

Copper piping (or similar material - approved for drinking water supply)

Non-return valve (mandatory in many countries – check your local regulations)

Water tap : 3/4" or 3/8"

Distance from machine : <1 m (Water hose length : 1000 mm)

Dynamic pressure : min. 1 bar at 10 L/min

Static pressure : max. 8 bar non-shock

DIMENSIONS

H 690 (920 with opened door) x W 290 x D 540 mm

Operational weight : Approx 50 kg

Add 50 mm ventilation space at the rear side of the machine.

Add 150 mm at both sides of the machine for service and maintenance purpose)

OTHER

The electrical socket should not be located within a distance of 30 cm/12" or below the water connection point.

The wall socket and water stop valve should be located in the same room as the equipment and easily accessible.

Do not use power extension cords.

The equipment is only suitable for indoor use.

(temperature: 1 ~ 32 °C, humidity: <80% RH)

Place the equipment on a stable surface or furniture, capable of supporting its weight.

Please check the Cafitesse ingredients packs for storage requirements and handling.

Quantum Touch series



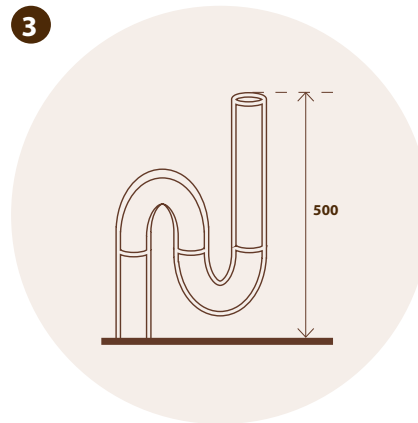
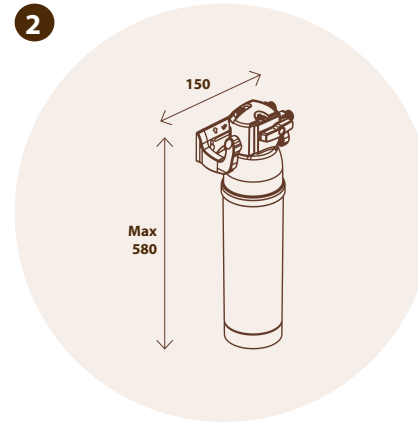
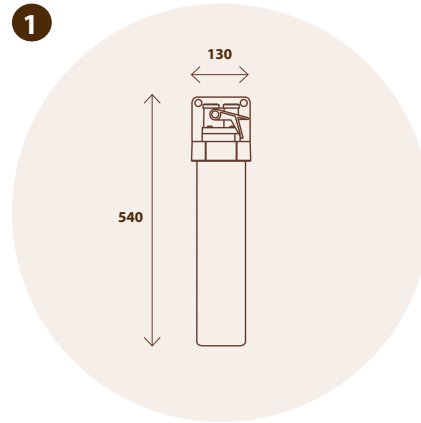
Options and water treatment

Information concerning options, water filters and -softeners.

unit of measurement = mm

Please consult your local JDE Professional helpdesk for more information and explanation.

Please see the product brochure for more detailed information regarding range of available drinks, specifications, options and accessories.



EXPLANATION

1. WATER FILTER

A filter may be necessary to optimize the water quality
The max required space is:
540 (h) x 130 (b) x 130 (d)

2. WATER SOFTENING (> 8 ° DH)

A water softener is necessary if the water hardness exceeds 8 ° DH.
The type required depends on the water hardness and daily number of consumptions.
The max required space is:
580 mm (l) x 150 mm (w) x 150 mm (d)

3. WASTE PIPE

Use a 50 mm waste pipe with siphon/waste trap (within 1 meter distance from the machine) for the drain hose.