

TYPE NO ES7100	TYPE Coffe Vending Machines	T.I. NO 2012_15				
SERIAL NUMBERS AFFECTED	From and including S/N 24011157	ISSUED BY Documentation/N&W Valbrembo				
SUBJECT Boiler stainless steel ES7100	ISSUED FOR (X): <table border="1"> <tr> <td>Action</td> <td></td> </tr> <tr> <td>Information</td> <td>X</td> </tr> </table>		Action		Information	X
Action						
Information	X					

HEADLINE

In all ES7100 machines have been introduced the stainless steel AISI 304 for the espresso boiler instead of brass.

COMPONENTS CONCERNED

New upgrade kit

835264700 = Stainless steel boiler assembled unit SPARES: **257140**

Old kit - still available

835642902 = 600cc ES boiler – 4V SPARES: **298079**

old codes changed (brass)

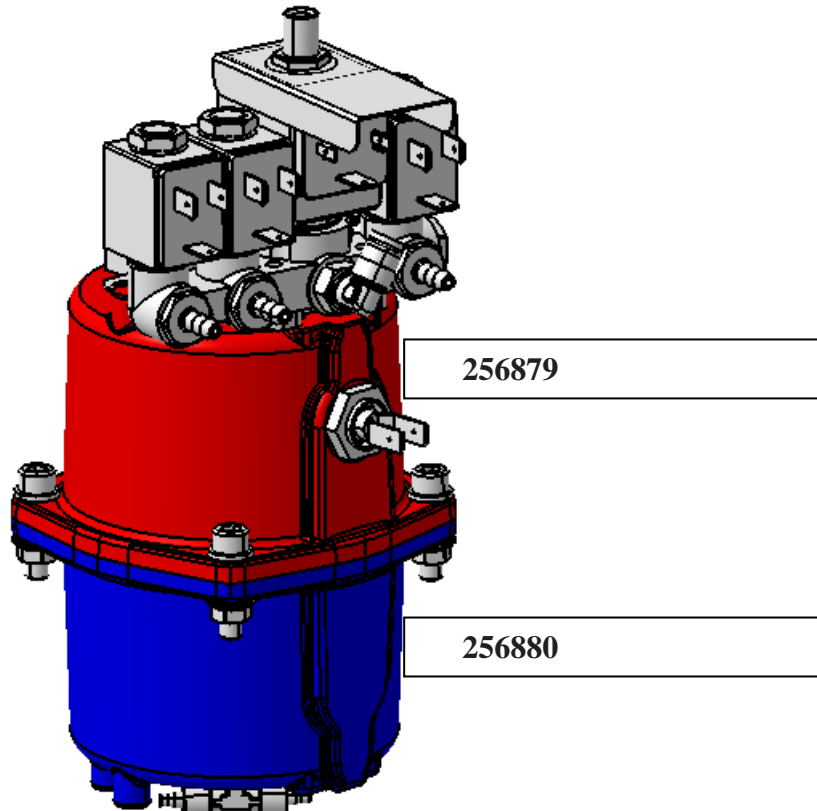
511522202 = Boiler superior cover SPARES: **0V3650**

511522302 = Boiler inferior cover SPARES: **0V3651**

new codes in stainless steel

511205200 = Boiler superior cover SPARES: **256879 – Red-**

511205300 = Boiler inferior cover SPARES: **256880 – Blue-**





TECHNICAL INFORMATION

TYPE NO ES7100	TYPE Coffe Vending Machines	T.I. NO 2012_15				
SERIAL NUMBERS AFFECTED	From and including S/N 24011157	ISSUED BY Documentation/N&W Valbrembo				
SUBJECT Boiler stainless steel ES7100	ISSUED FOR (X): <table border="1"><tr><td>Action</td><td></td></tr><tr><td>Information</td><td>X</td></tr></table>		Action		Information	X
Action						
Information	X					

The other codes are the same in both version;

MODIFICATION

The caps (upper and lower) of the espresso boiler in brass material have been replaced with the same components as dimension and drawings, but in stainless steel material.

REASON

To improve of water quality and the beverage taste.

REPLACEABILITY

The 2 new parts are 100% replaceable: dimension and drawing are the same, just the material is changed. The old codes are still available as spare.