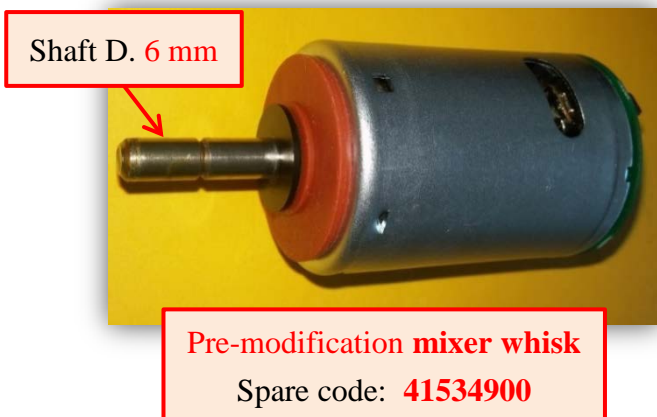
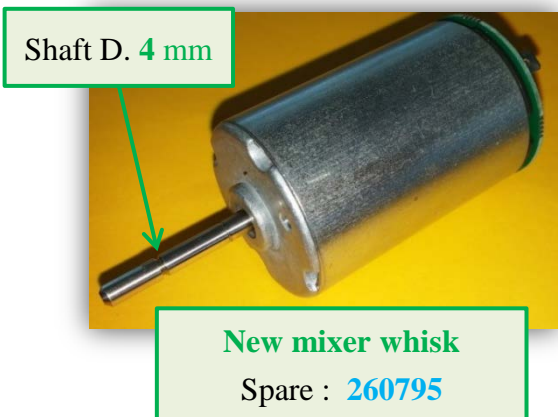


Type Coffee Vending Machine	Model 9100	N° T.I. 02 - 2018
Serial Number N/A	Subject NEW SOUP BEATER	ISSUED FOR (X) Action Information X

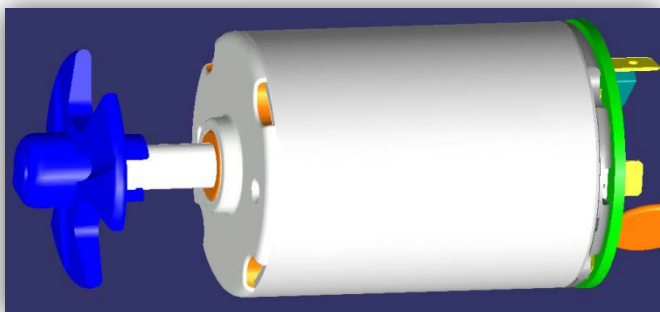
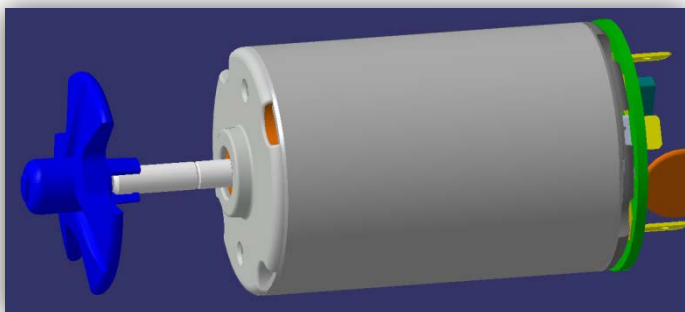
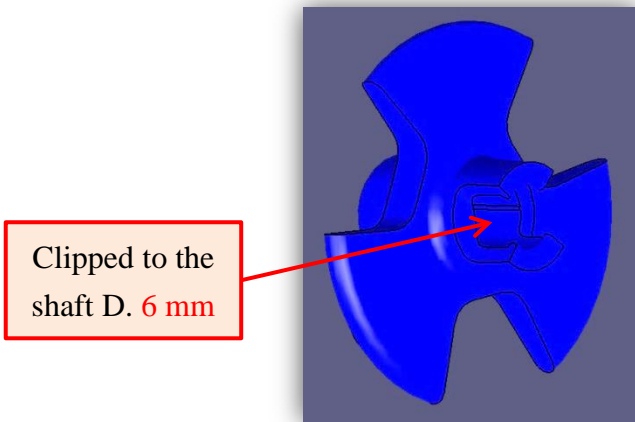
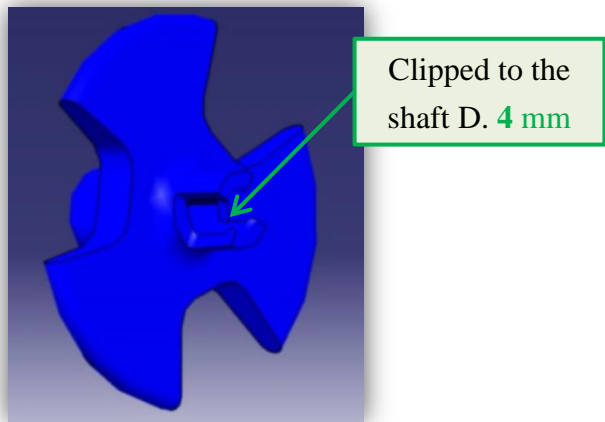
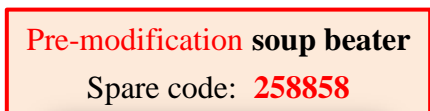
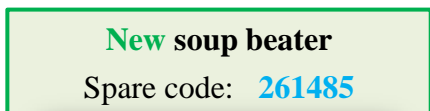
REASON:

Due to the introduction of the **new mixer assembly**, that has a **new mixer whisk** (shaft D. 4 mm)



MODIFICATIONS:

A **new soup beater** is required to be clipped to the **new mixer whisk** (shaft D. 4 mm)



Type Coffee Vending Machine	Model 9100	N° T.I. 02 - 2018					
Serial Number N/A	Subject NEW SOUP BEATER	<table border="1"> <tr> <td rowspan="2">ISSUED FOR (X)</td> <td>Action</td> <td></td> </tr> <tr> <td>Information</td> <td>X</td> </tr> </table>	ISSUED FOR (X)	Action		Information	X
ISSUED FOR (X)	Action						
	Information	X					

EXCHANGEABILITY:

The **new** *soup beater* and the **pre – modification** *soup beater* are not interchangeable.

The **new** *soup beater* has to be clipped to the **new** *mixer whisk*

The **pre – modification** *soup beater* has to be clipped to the **pre – modification** *mixer whisk*

The spare code of the **new** *soup beater* is: **261485, SAP 55118436**