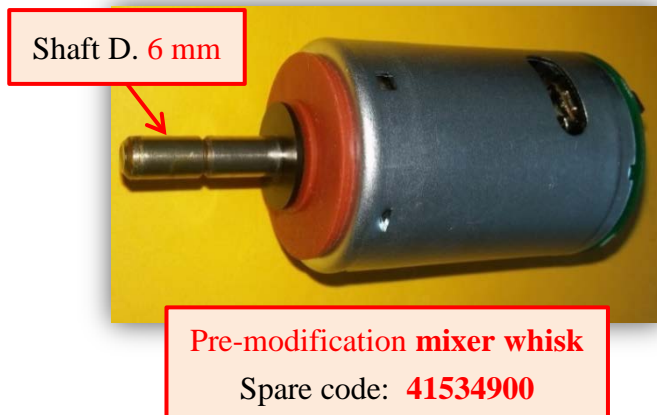
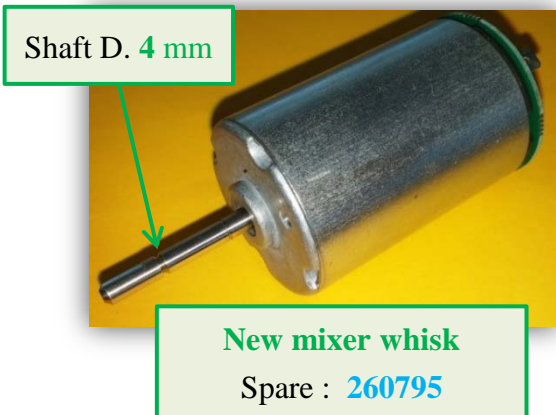


Type Coffee Vending Machine	Model 9100	N° T.I. 02 - 2018				
Serial Number N/A	Subject NEW SOUP BEATER	ISSUED FOR (X) <table border="1"> <tr> <td>Action</td> <td></td> </tr> <tr> <td>Information</td> <td>X</td> </tr> </table>	Action		Information	X
Action						
Information	X					

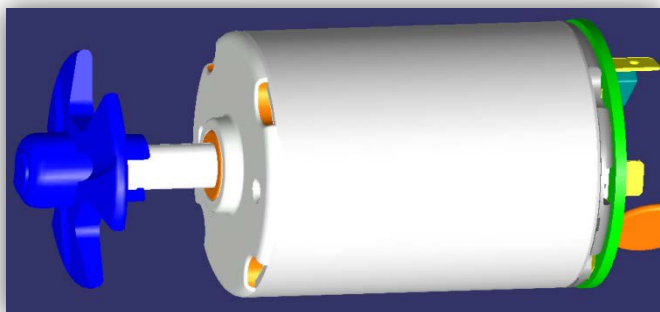
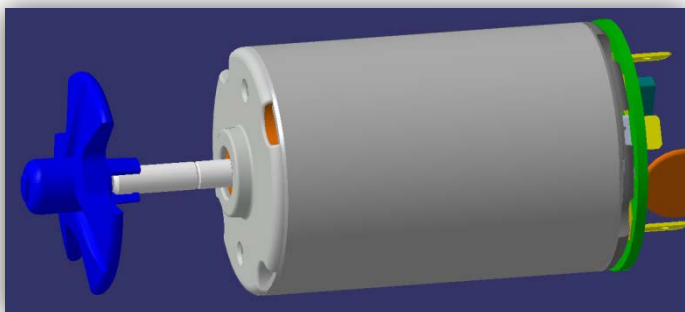
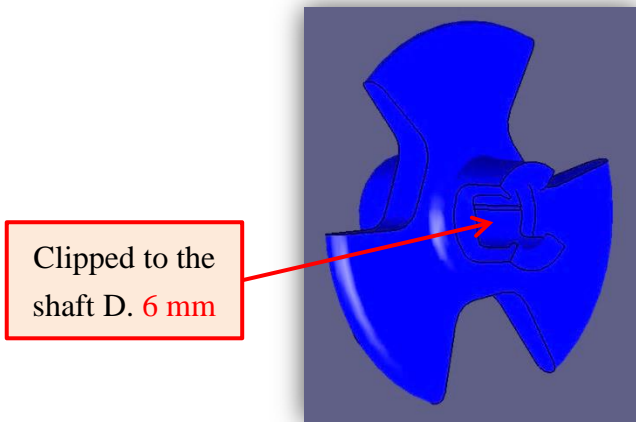
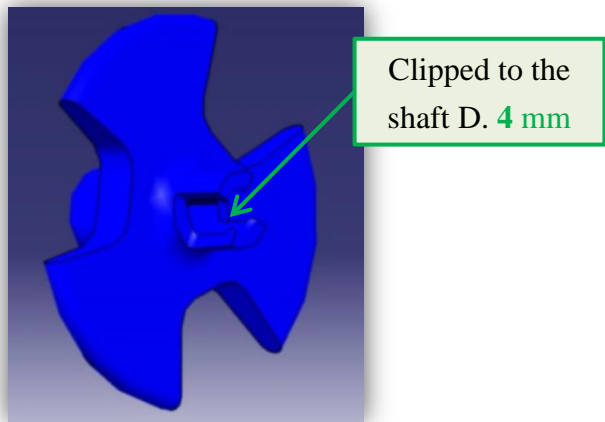
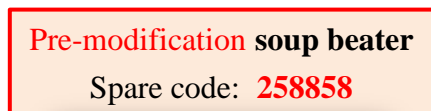
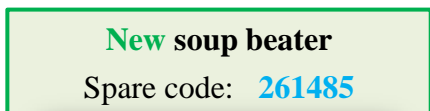
REASON:

Due to the introduction of the **new mixer assembly**, that has a **new mixer whisk** (shaft D. 4 mm)



MODIFICATIONS:

A **new soup beater** is required to be clipped to the **new mixer whisk** (shaft D. 4 mm)



Type Coffee Vending Machine	Model 9100	N° T.I. 02 - 2018				
Serial Number N/A	Subject NEW SOUP BEATER	ISSUED FOR (X) <table border="1"> <tr> <td>Action</td> <td></td> </tr> <tr> <td>Information</td> <td>X</td> </tr> </table>	Action		Information	X
Action						
Information	X					

EXCHANGEABILITY:

The **new** *soup beater* and the **pre – modification** *soup beater* are not interchangeable.

The **new** *soup beater* has to be clipped to the **new** *mixer whisk*

The **pre – modification** *soup beater* has to be clipped to the **pre – modification** *mixer whisk*

The spare code of the **new** *soup beater* is: **261485**