

Type Coffee Vending Machine	Model 9100 – 95	N° T.I. 02 – bis - 2019
Serial Number See pag. 2/2	Subject PIN OF CAPILLARY THERMOSTAT 140 °C	ISSUED FOR (X) Action Information X

Pin of capillary thermostat 140 °C

Refer to the "*JDE TI 02_2019 H&C_Change of capillary thermostat 140 °C*"

Important note: the indications for the *thermostat pin* concern only the 9100 and 95 machines

- The **pre – modification thermostat** and **pre – modification pin** have been replaced by **new** thermostat and **modified thermostat pin** (see below).

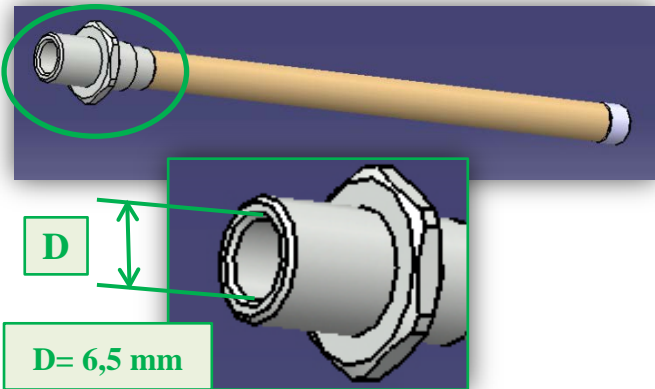
New
capillary **thermostat** 140 °C
Spare code: **262026**



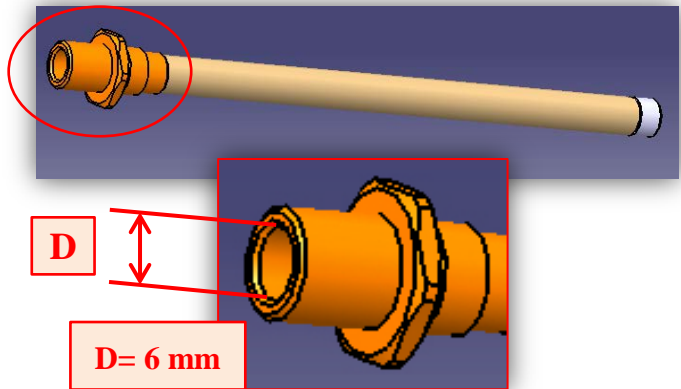
Pre - modification
capillary **thermostat** 140 °C
Spare: **256249** still available



Modified thermostat pin



Pre - modification thermostat pin
No longer available



➤ The spare code of *thermostat pin* is not changed: **261404**



Type Coffee Vending Machine	Model 9100 – 95	N° T.I. 02 – bis - 2019				
Serial Number See pag. 2/2	Subject PIN OF CAPILLARY THERMOSTAT 140 °C	ISSUED FOR (X) <table border="1"> <tr> <td>Action</td> <td></td> </tr> <tr> <td>Information</td> <td>X</td> </tr> </table>	Action		Information	X
Action						
Information	X					



Important note:

- ✓ **For** machines following the **S/N** below, the **pre – modification thermostat** can be mounted without modification.
- ✓ **For** machines previous to **S/N** below, should be required to replace the thermostat, use a **pre – modification** thermostat.
It's also possible to mount the **new thermostat** by ordering a **new** support for **new thermostat** (spare: **259710**) and a **modified** thermostat **pin** (spare: **261404**).

➤ **Machines concerned by modification from S/N below:**

- ✓ **90910331** 9100
- ✓ **91210457** 95