

Type <b>Coffee Vending Machine</b>	Model <b>KORO PRIME – KORINTO PRIME</b>	N° T.I. <b>08 - 2018</b>				
Serial Number <b>82811318</b>	Subject <b>AIR – BREAK WITH LONGER FLOAT</b>	ISSUED FOR (X) <table border="1"> <tr> <td>Action</td> <td></td> </tr> <tr> <td>Information</td> <td><b>X</b></td> </tr> </table>	Action		Information	<b>X</b>
Action						
Information	<b>X</b>					

**REASON:**

To optimize the level of water contained in the *air - break* and also to prevent a possible overflow

**MODIFICATIONS:**

The air – break **float** has been lengthened from **85** mm to **95** mm.

**New solution**

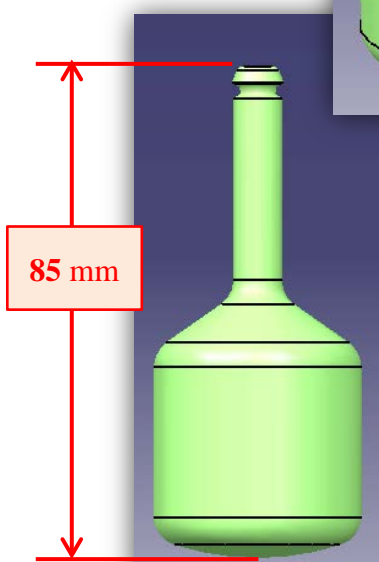
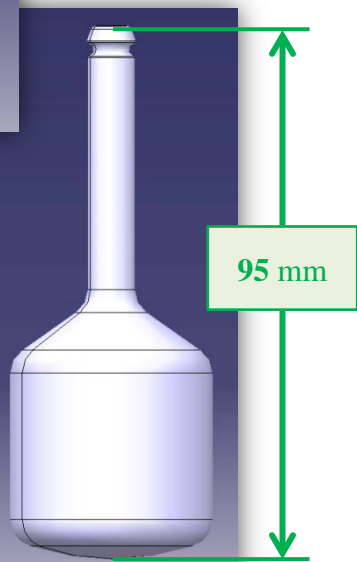
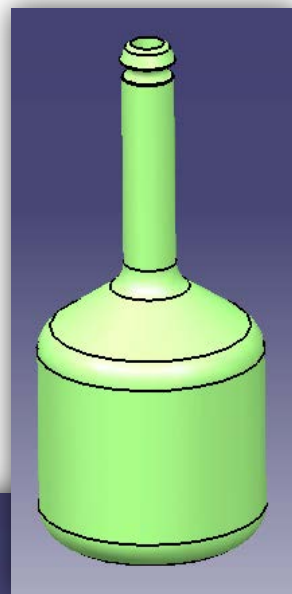
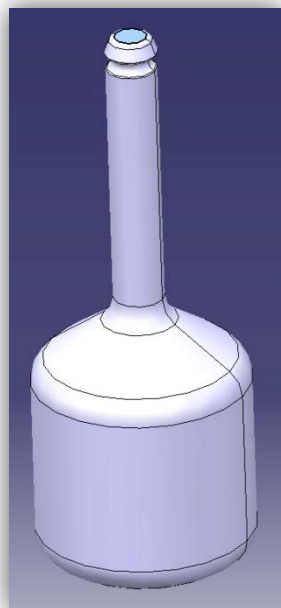
**Longer float** for *Air - Break*

Spare part code: **259796**

**Pre-modification solution**

**Float** for *Air - Break*

Spare part code: **0V1126**



Type Coffee Vending Machine	Model <b>KORO PRIME – KORINTO PRIME</b>	N° T.I. <b>08 - 2018</b>
Serial Number <b>82811318</b>	Subject <b>AIR – BREAK WITH LONGER FLOAT</b>	ISSUED FOR (X) Action Information X

**New** solution: *Air - Break Assembly*

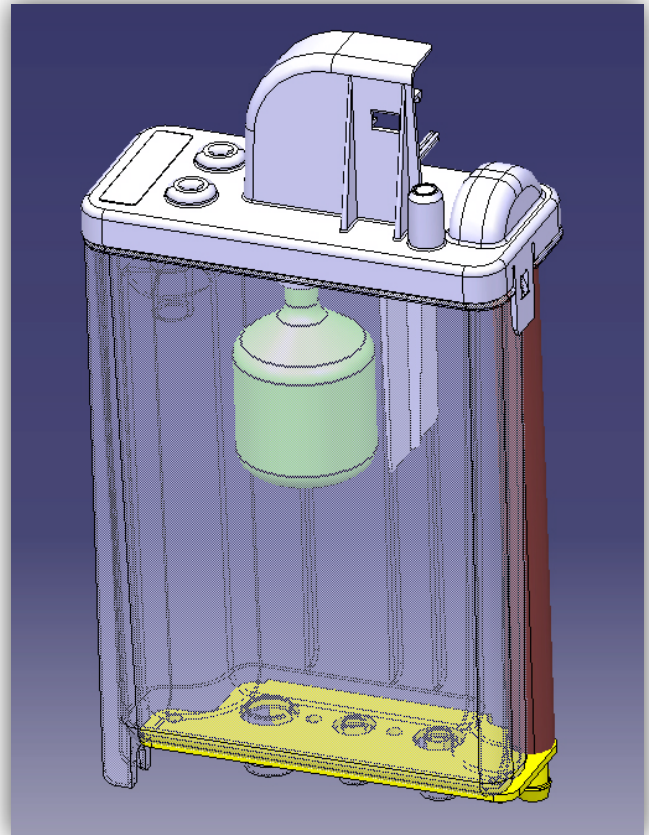
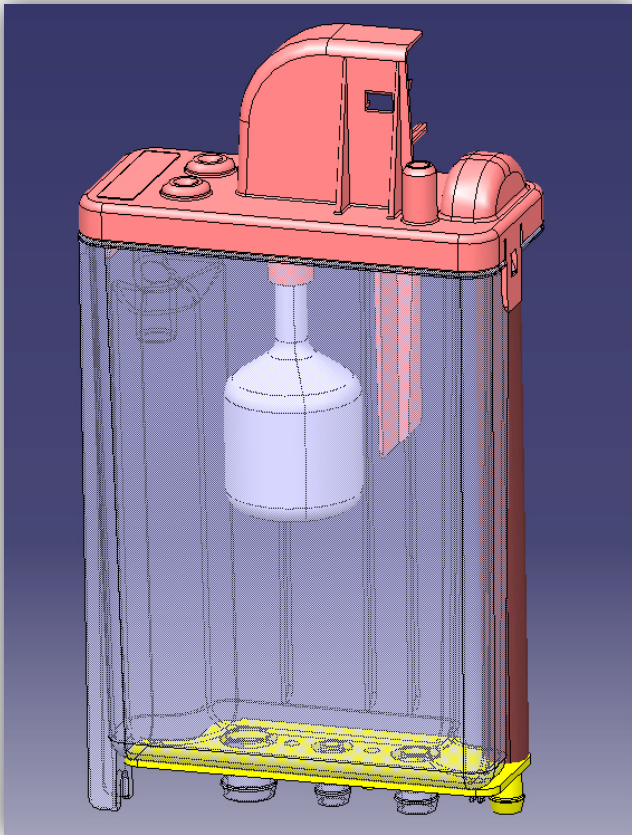
**Longer** float (95 mm)

Spare code: **259777**

**Pre-modification** solution: *Air - Break Ass.*

Float (85 mm)

Spare code: **0V1133**



➤ **Machines concerned by modification from S/N 82811318**

**EXCHANGEABILITY:**

The **new** solution can be fitted on machines previous to above S/N.

"**Longer** float for *Air – Break (95 mm)*" spare code: **259796**

"**Float** for *Air- Break (85 mm)*" spare code: **0V1126**

"*Air – Break Assembly (longer float)*" spare code: **259777**

"*Air – Break Assembly (float 85 mm)*" spare code: **0V1133**

**ATTENTION POINT  
and TRAINING  
done in production  
to carefully assembly  
the hydraulic circuit  
with right sloping hoses.**