

Type Coffee Vending Machine	Model 9000 – 9100	N° T.I. 08 - 2019				
Serial Number 92510326	Subject DOOR ACTUATOR BRACKET MODIFICATION	ISSUED FOR (X) <table border="1"> <tr> <td>Action</td> <td></td> </tr> <tr> <td>Information</td> <td>X</td> </tr> </table>	Action		Information	X
Action						
Information	X					

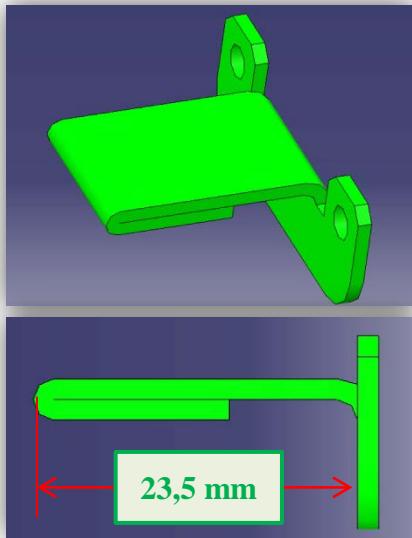
REASON:

Be informed that to avoid a possible irregular deactivation of the *door switch* present on the cabinet base, when the door is closed and the liquid drip tray is removed

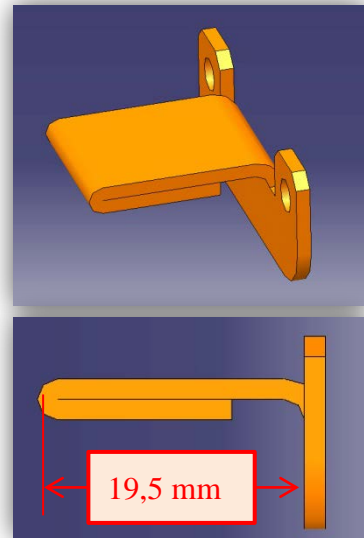
MODIFICATIONS:

The *door actuator bracket arm* has been extended as shown below: **23,5 mm** (it was **19,5 mm**)

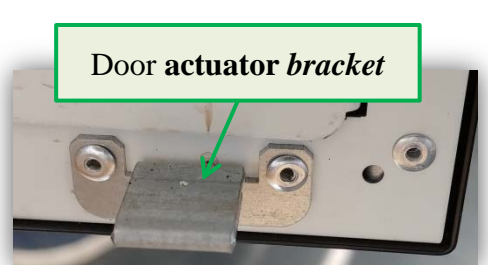
Modified door actuator bracket



Pre - modification door actuator bracket



Door switch on base cabinet



Door actuator bracket

➤ The *door actuator bracket* spare code is not changed: **259718**

➤ *Machines concerned by modification from S/N: 92510326*

EXCHANGEABILITY:

For machines previous to above **S/N** it's possible to use the *modified door actuator bracket*