

Type Coffee Vending Machine	Model 9100 – 9200 – 95	N° T.I. 12 - 2019
Serial Number 92410445	Subject INSTANT CANISTER IMPROVEMENTS	ISSUED FOR (X) Action Information X

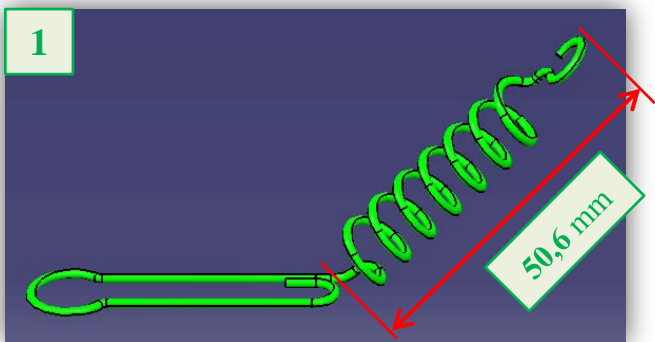
REASON:

To prevent any possible *beater springs* blocking in the instant canisters

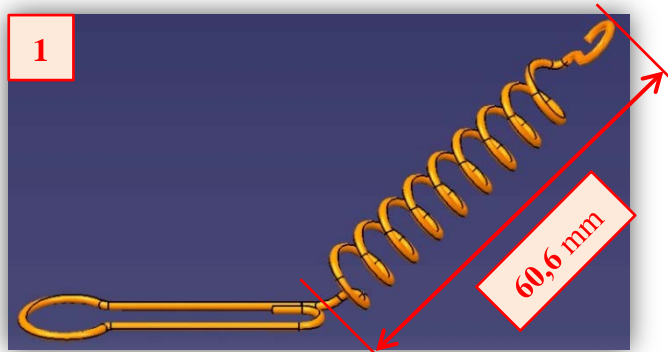
MODIFICATIONS:

The *beater spring* and the canister *wheel* have been modified as shown below:

Modified beater spring Spare code: **262955** sap:55121624



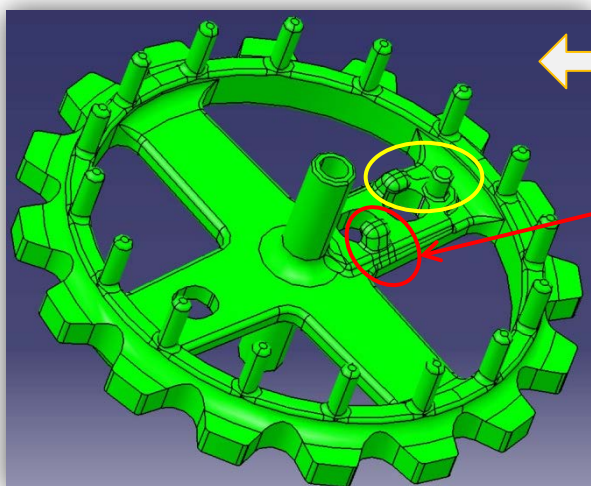
Pre - modification beater spring Spare code: **260951**



2

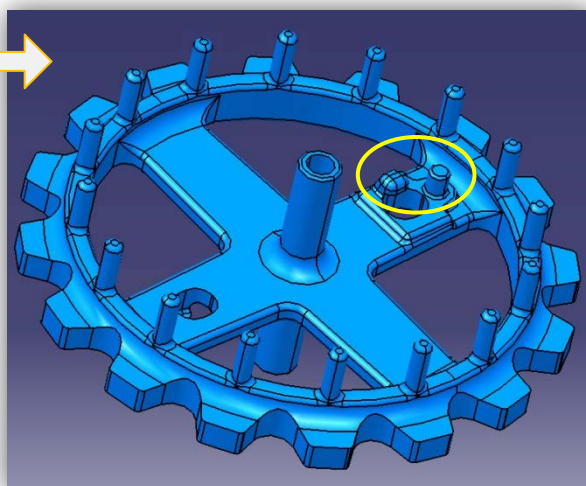
N.1 hook and **N.1 rib** have been added to improve the fixing of two springs

Modified canister wheel Spare code: **262956** sap: 55121625



Side A
N.1 hook
Side B

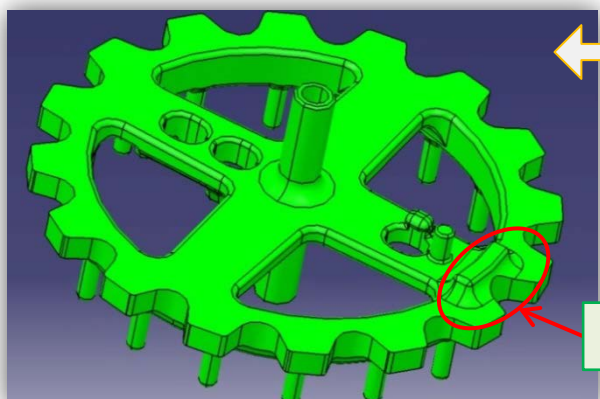
Pre - modification canister wheel Spare code: **260954**



Type Coffee Vending Machine	Model 9100 – 9200 – 95	N° T.I. 12 - 2019
Serial Number 92410445	Subject INSTANT CANISTER IMPROVEMENTS	ISSUED FOR (X) Action Information X

Modified canister *wheel*

Pre - modification canister *wheel*



Side B



N.1 rib

Modified assembly

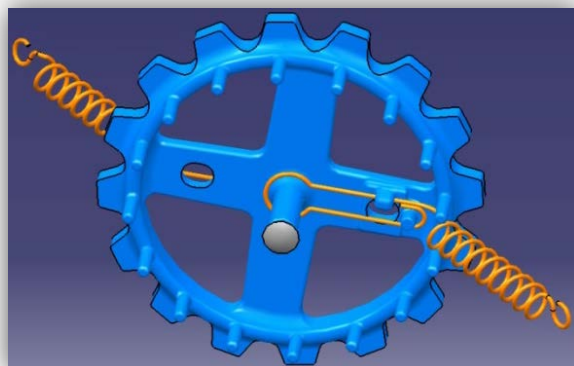
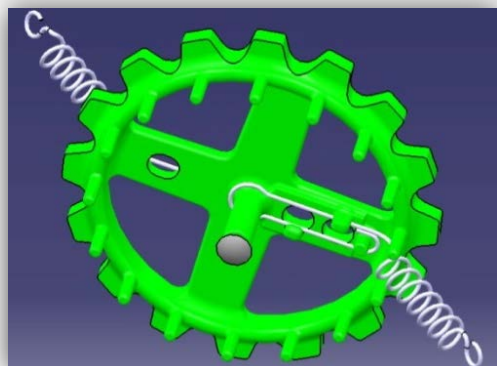
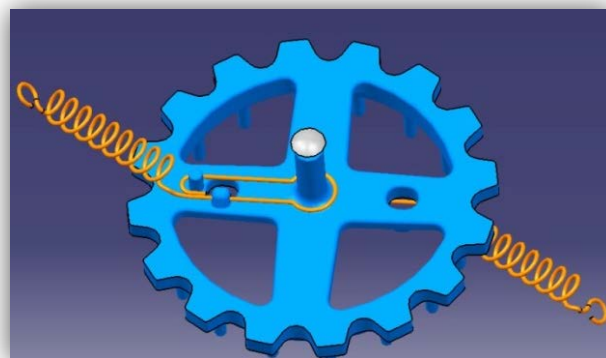
wheel + *springs* + inserts (not modified)

Spare code: **262957** *sap*: 55121626

Pre - modification assembly

wheel + *springs* + inserts (not modified)

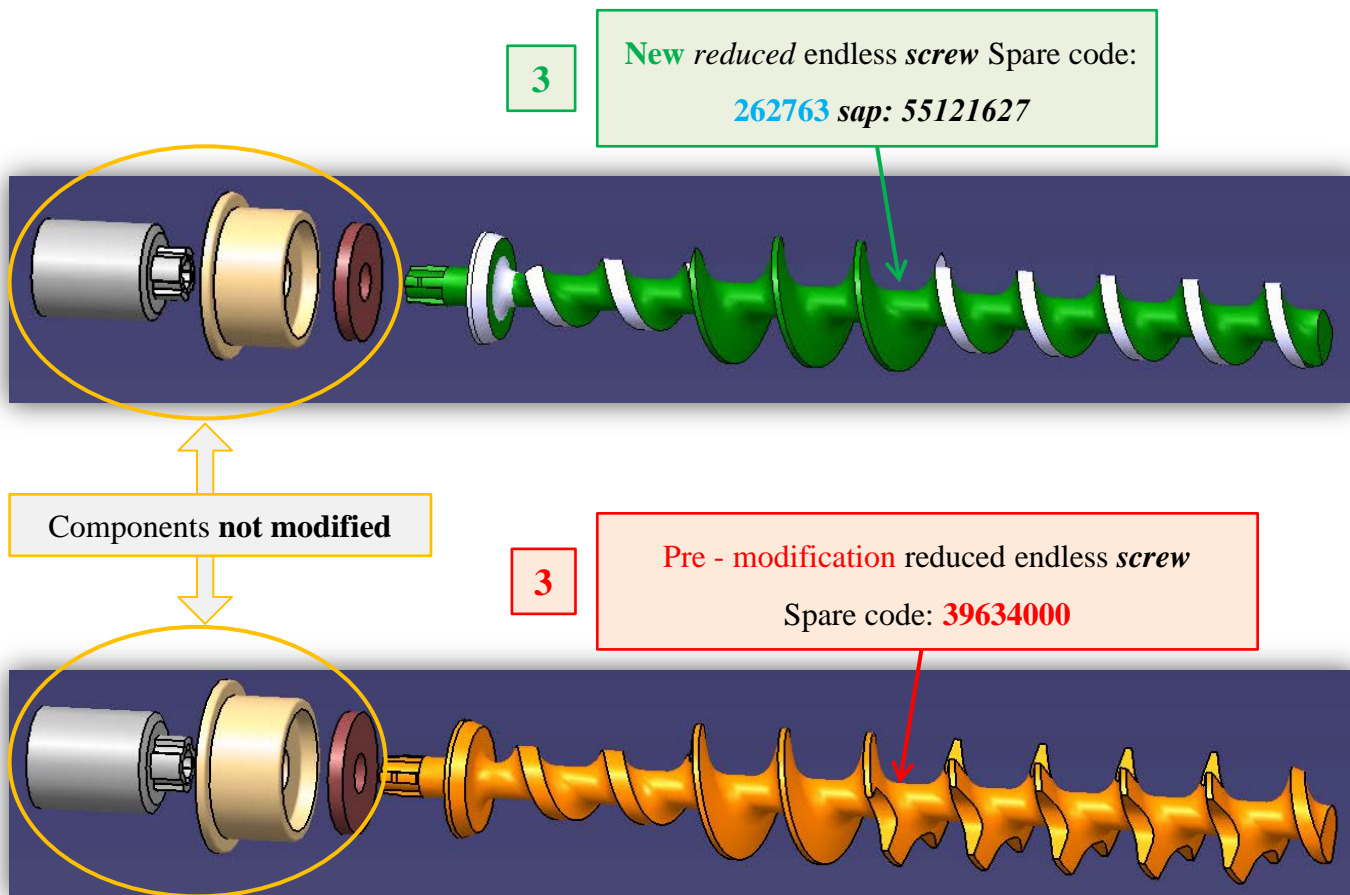
Spare code: **261042**



Type Coffee Vending Machine	Model 9100 – 9200 – 95	N° T.I. 12 - 2019
Serial Number 92410445	Subject INSTANT CANISTER IMPROVEMENTS	ISSUED FOR (X) Action Information X

MODIFICATIONS:

✓ In addition to modifications 1 and 2 , for canister **assemblies** with *reduced endless screw*, starting from S/N **9xxxxxxx**, the **pre - modification** screw has been replaced by a **new** one:



✓ In addition to modifications 1, 2 and 3, for all instant canister **assemblies** versions the **material** of canister **ring nut** has been changed to guarantee alimentary specifications (4).



4 **New material** of canister *ring nut*
The spare code is not changed: **39586200**



Type Coffee Vending Machine	Model 9100 – 9200 – 95	N° T.I. 12 - 2019				
Serial Number 92410445	Subject INSTANT CANISTER IMPROVEMENTS	ISSUED FOR (X) <table border="1"> <tr> <td>Action</td> <td></td> </tr> <tr> <td>Information</td> <td>X</td> </tr> </table>	Action		Information	X
Action						
Information	X					

<input type="checkbox"/> Canister Assemblies involved by modification	New spare code	Pre-modification spare code
2,7 L Canister Assembly Right Wheel + Beater - Reduced screw NSF	262947/55121533	260541
2,7 L Canister Assembly Left Wheel + Beater - Reduced screw NSF	262948/55121534	260782
2,7 L Canister Assembly Left Wheel + Beater NSF	262949/55121535	261032
2,7 L Canister Assembly Right Wheel + Beater NSF	262951/55121536	261034

➤ *Machines concerned by modification from S/N:* **92410445**

Exchangeability

➤ For machines previous to above **S/N** it's possible to use a **modified** *canister wheel* matched with **modified** *beater springs*.

In addition for machines previous to **S/N 9xxxxxxx** with **reduced** *endless screw*, it's possible to use the **new reduced** *endless screw*.

➤ For **pre – modification** *canister assemblies*:

it's possible to use a **modified** assembly "*wheel + springs + inserts*" (spare: **262957**)

that replaces a **pre – modification** assembly (spare: **261042**) and the **new reduced** *endless screw* (spare code: **262783**) for **reduced** screw assembly versions.