

TYPE NO ES7100 ES7300	TYPE Coffe Vending Machines	T.I. NO 05 - 2015				
SERIAL NUMBERS AFFECTED From and including S/N 50411987	ISSUED BY Documentation/N&W Valbrembo					
SUBJECT DUAL SEAL RAPID COUPLING BOILER	ISSUED FOR (X): <table border="1"> <tr> <td>Action</td> <td></td> </tr> <tr> <td>Information</td> <td>X</td> </tr> </table>		Action		Information	X
Action						
Information	X					

REASON

Be informed that with the aim to improve our equipment, some modifications have been introduced for molded boilers (600 cc – INOX).

MODIFICATIONS:

The existing “**push-on couplings**” (Brass Ruveco Lead leaching process) have been replaced by “**Dual seal rapid couplings**” (Brass Ruveco Lead leaching process).



New solution:
dual seal rapid coupling
Spare part number: 259080

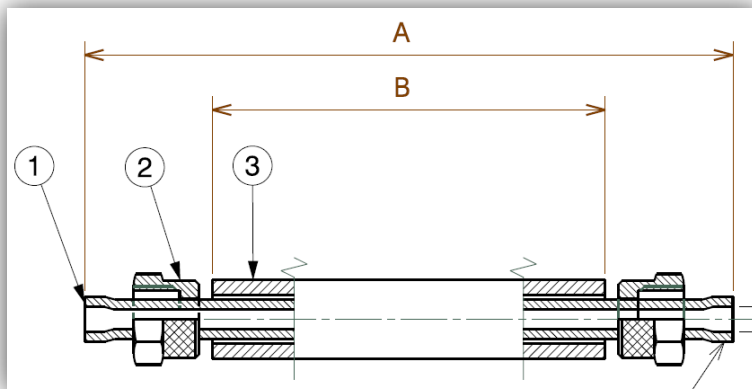
Old solution: push-on coupling
Spare part number: 255396



TYPE NO ES7100 ES7300	TYPE Coffe Vending Machines	T.I. NO 05 - 2015				
SERIAL NUMBERS AFFECTED From and including S/N 50411987	ISSUED BY Documentation/N&W Valbrembo					
SUBJECT DUAL SEAL RAPID COUPLING BOILER	ISSUED FOR (X): <table border="1"> <tr> <td>Action</td> <td></td> </tr> <tr> <td>Information</td> <td>X</td> </tr> </table>		Action		Information	X
Action						
Information	X					

MACHINES CONCERNED BY this modification from S/N **50411987**

- The spare part number of the modified “assembly boilers” are not changed:
 - **257140** Boiler Coffee 4EV INOX **ES7100**
 - **258925** Boiler ES. 600CC 5EV -INOX- **ES7300**
- As consequence of the “modified ass. boilers” introduction it’s necessary to replace:
 1. **298225** “Boiler unloading assembly hose”



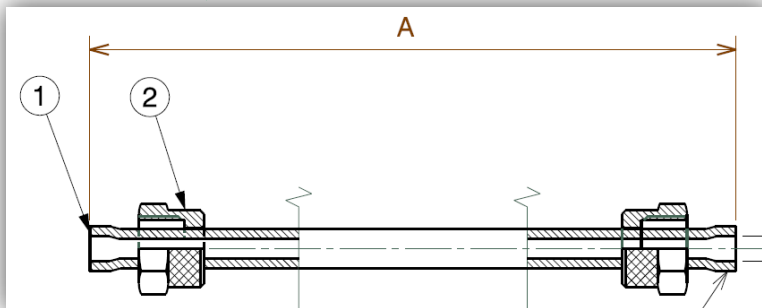
- | | |
|-------------------------|--------|
| 1. Teflon hose 3x6 | (N. 1) |
| 2. Coupling Nut | (N. 2) |
| 3. Silicone hose 7.5x12 | (N. 1) |
| A= 300 ; B= 210 | |

replaced by **252658** (minimum 1 m) teflon hose 3x6 Lg. 0,3 m
 + **097685** (minimum 1 m) silicone hose 7.5x12 Lg. 210”



TYPE NO ES7100 ES7300	TYPE Coffe Vending Machines	T.I. NO 05 - 2015				
SERIAL NUMBERS AFFECTED From and including S/N 50411987	ISSUED BY Documentation/N&W Valbrembo					
SUBJECT DUAL SEAL RAPID COUPLING BOILER	ISSUED FOR (X): <table border="1"> <tr> <td>Action</td> <td></td> </tr> <tr> <td>Information</td> <td>X</td> </tr> </table>		Action		Information	X
Action						
Information	X					

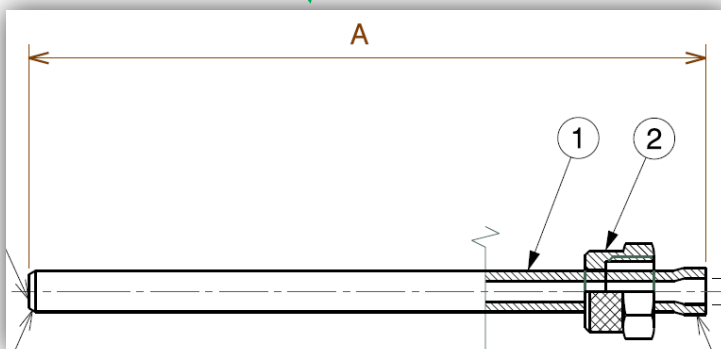
2. **298211** “Ass. hose Boiler EV. Group coffee”



- | | |
|--------------------|--------|
| 1. Teflon hose 3x6 | (N. 1) |
| 2. Coupling Nut | (N. 2) |

A= 140

replaced by **250283** “Boiler assembly hose”



- | | |
|--------------------|--------|
| 1. Teflon hose 3x6 | (N. 1) |
| 2. Coupling Nut | (N. 1) |

A= 140

EXCHANGEABILITY:

The **modified assembly boilers** can be installed in the machines prior to the above mentioned serial number, replacing the codes: **298225 - 298211**