

Type Coffee Vending Machine	Model CV200 – CV7300	T.I. NO 10 - 2015		
Serial Number 52411533 (NL) 52411549 (DK)	Subject BRANCH PIPE IMPROVEMENTS	ISSUED FOR (X)	Action Information	<input checked="" type="checkbox"/>

REASON

To improve the reliability of the branch pipe, some technical modification are introduced



MODIFICATIONS:

1. it has been introduced a **linear slide** for the branch pipe, that it is composed by **two plastic parts**
2. improved the **mobile nozzle arm**: it has been added a sheet-metal bend to improve the sliding
3. **mobile arm support**: the **mobile nozzle arm guides** (on the rectangular frontal cut) have been removed to avoid sliding frictions. The rectangular cut dimensions are increased.
4. modified **mobile nozzle CV7200**
5. introduced **new movement nozzle micro-switches** that replace the existing ones.

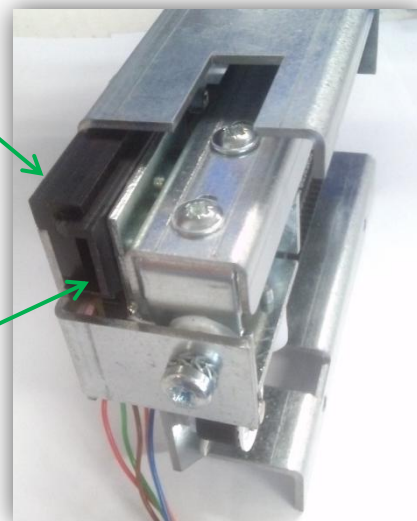
Below the details:

1.



New arm linear slide: Spare **259617**

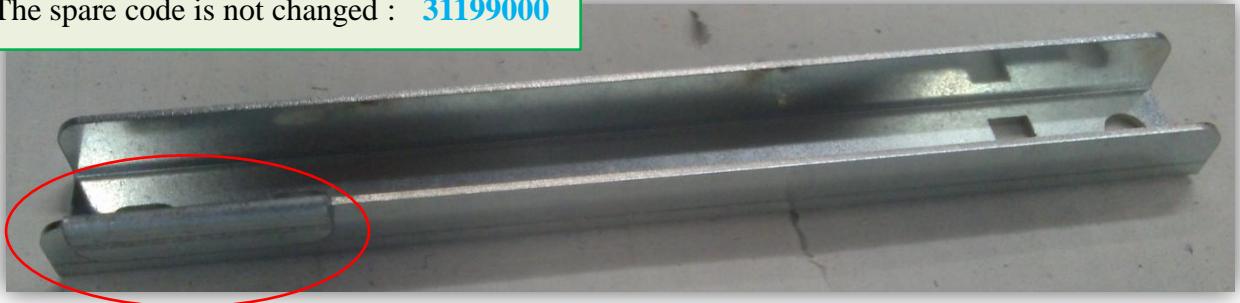
New nozzle micro actuator:
Spare **259618**



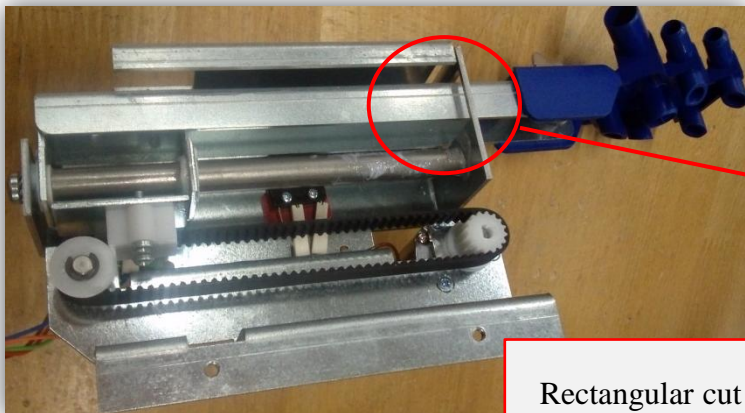
Type Coffee Vending Machine	Model CV7200 – CV7300	T.I. NO 10 - 2015		
Serial Number 52411533 (NL) 52411549 (DK)	Subject BRANCH PIPE IMPROVEMENTS	ISSUED FOR (X)	Action Information	X

2. **mobile nozzle arm**: it has been added a **sheet-metal bend**, that improves the sliding. The tolerances are reduced.

The spare code is not changed : **31199000**



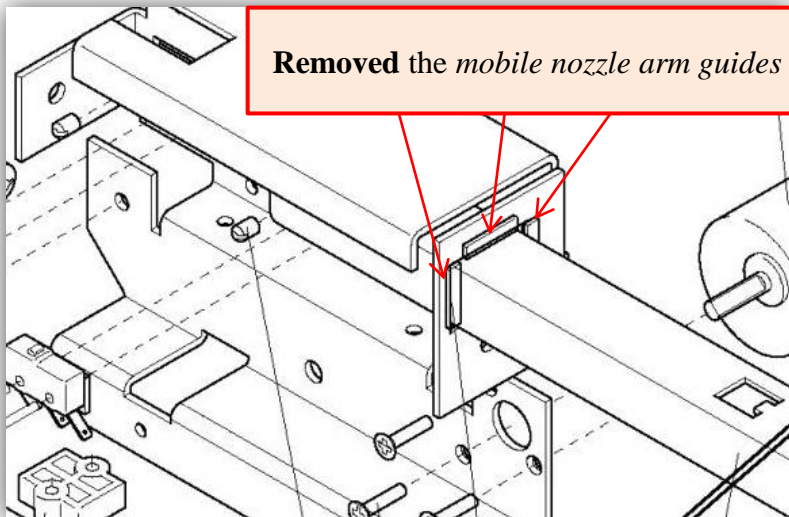
3. **mobile arm support**: the *mobile nozzle arm guides* (on the rectangular frontal cut) have been removed to avoid sliding frictions.



Rectangular cut



Mobile arm support



Removed the *mobile nozzle arm guides*



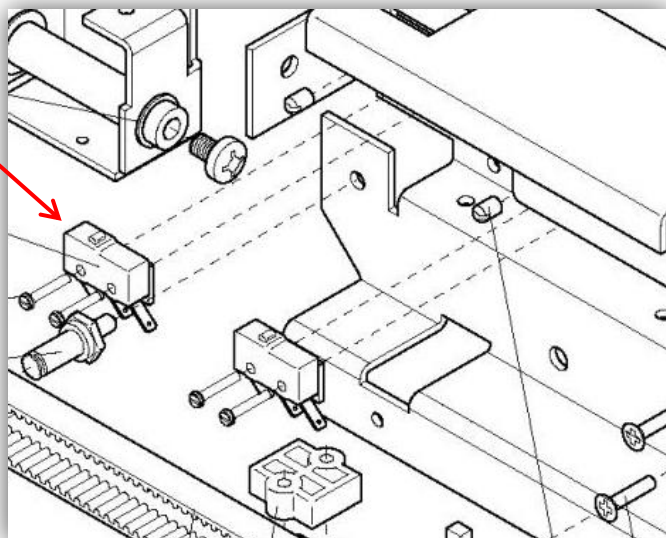
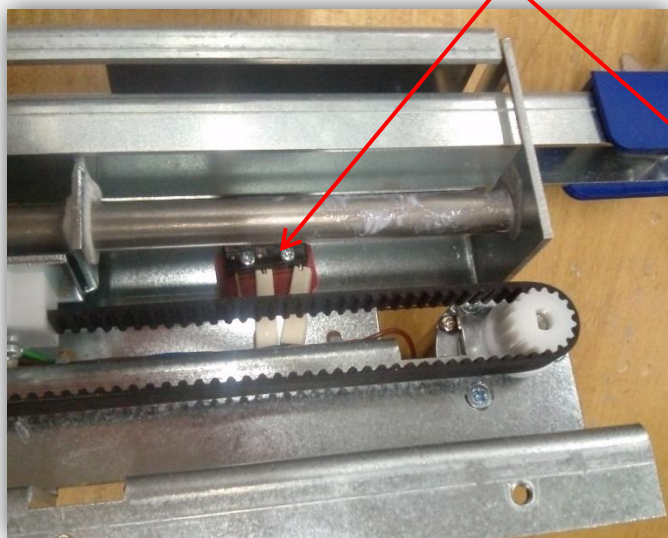
Type Coffee Vending Machine	Model CV7200 – CV7300	T.I. NO 10 - 2015		
Serial Number 52411533 (NL) 52411549 (DK)	Subject BRANCH PIPE IMPROVEMENTS	ISSUED FOR (X)	Action Information	X

4. modified *mobile nozzle CV7200* : the overall dimensions are reduced. This modification guarantees to put back the nozzle on the its mobile arm more easily, after cleaning.



The spare code is not changed : **39758600**

5. introduced **new movement nozzle micro-switches**, that replace the existing ones.



The new nozzle micro-switches guarantee a more precise activation.
To better detect the branch pipe during its cycles, the fixation of the two micro-switches have been changed

New nozzle micros: Spare **096355**

Old nozzle micros: Spare **0V1928**

