

Range SLIF	Model ES7100	T.I. Nr 01_2012
Serial Number 20411706	Subject DOOR SWITCH ACTIVATION PLATE	Complaint Nr N/A

The door switch activation plate has been modified as follows.

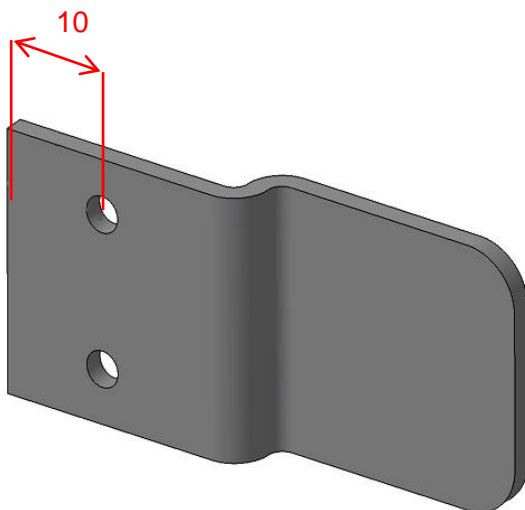
- In order to obtain a better actuation of door switch, the distance of the holes has been moved from 10 mm to 8 mm.

Implementation is effective starting from S/N **20411706**.

Here below details of design review.

ACTIVATION PLATE

OLD



NEW

