

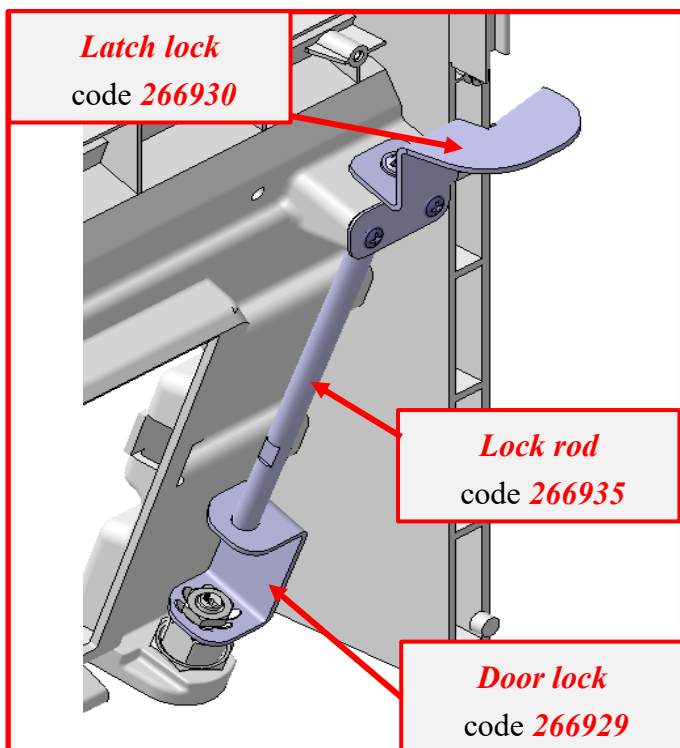
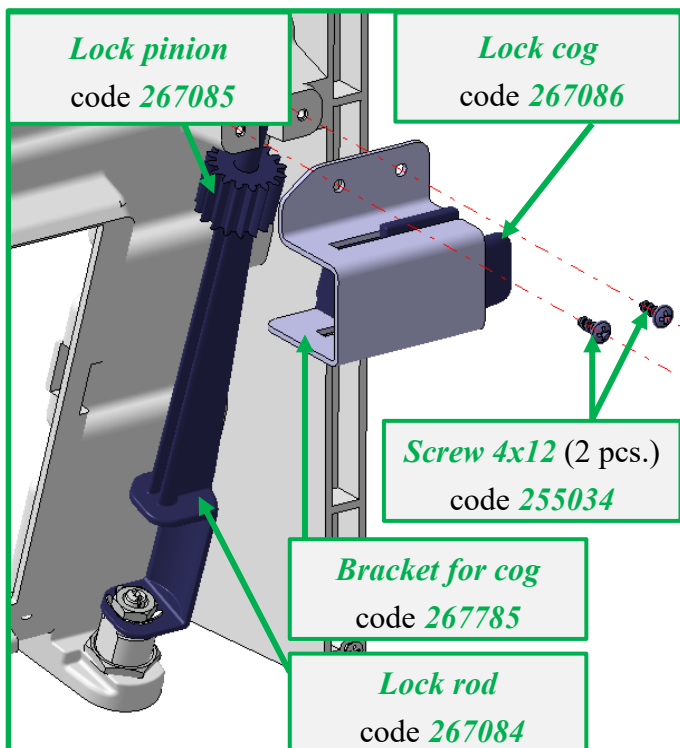
Range SA Large Regional	Model W100	N° T.I. 03_2025
Serial Number 51720554	Subject <b>DOOR CLOSING SYSTEM</b>	

**REASON:**

For continuous improvement of our products

**MODIFICATIONS:**

Be informed that **starting from S/N 51720554**, the machines are equipped with a *new plastic door closing system*.



**EXCHANGEABILITY:**

- ✓ For machines with **S/N** earlier than the one indicated above, switching to the new plastic door closing system is **not recommended**; the spare parts shown in the red square on the right are still available.
- ✓ If you prefer to adopt the new solution, the spare parts shown in the green square on the left should be purchased. The two screws are optional, as they are the same to those used in the previous system.

**Please note:** the *lock* has not changed, its spare part code is **258884**