

Range H&C	Model W100	N° T.I. 03_2024
Serial Number 44021279	Subject <b>Modification of UPPER CUP HOLDER BLOCK</b>	

**REASON:**

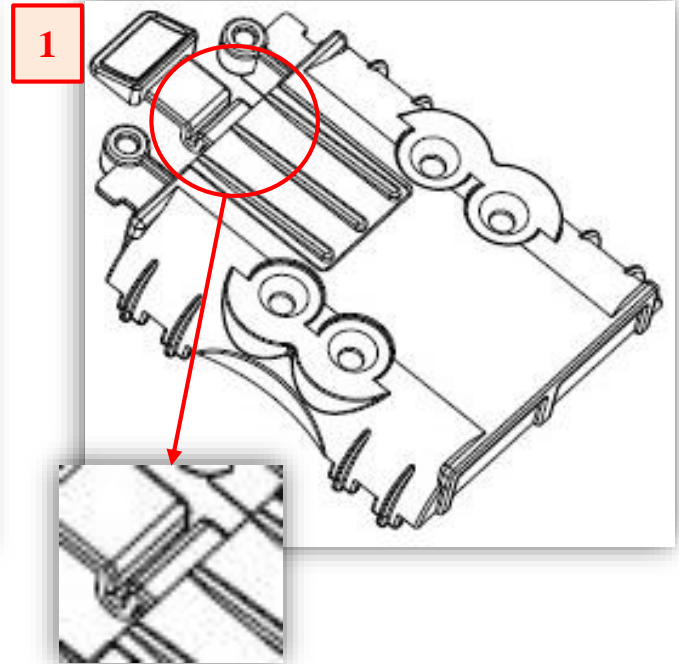
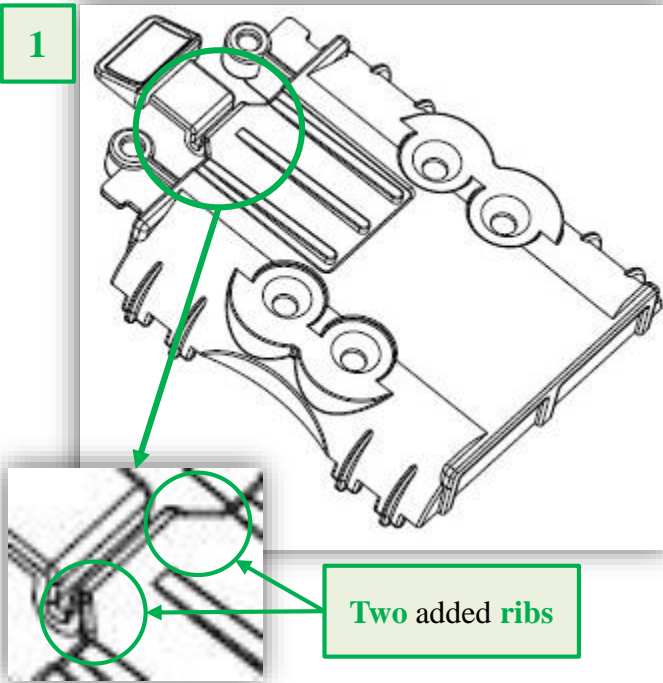
Be informed that with the aim to improve our equipment

**MODIFICATIONS:**

The **stiffness** of *upper cup holder block* has been improved by the addition of **two ribs** and a **material change**.

**Modified** upper cup holder block

**Pre – modification** upper cup holder block



2

**New material: PA66**

2

**Pre – modification** material: **POM**

➔ The *upper cup holder block* spare part code is not changed:  
**266952 sap 55127988**

➤ **Machines concerned by modification from S/N 44021279.**

**EXCHANGEABILITY:**

For machines produced before S/N above it is possible to mount a **modified block**