

Range H&C	Model W100	N° T.I. 03_2024
Serial Number 44021279	Subject Modification of UPPER CUP HOLDER BLOCK	

REASON:

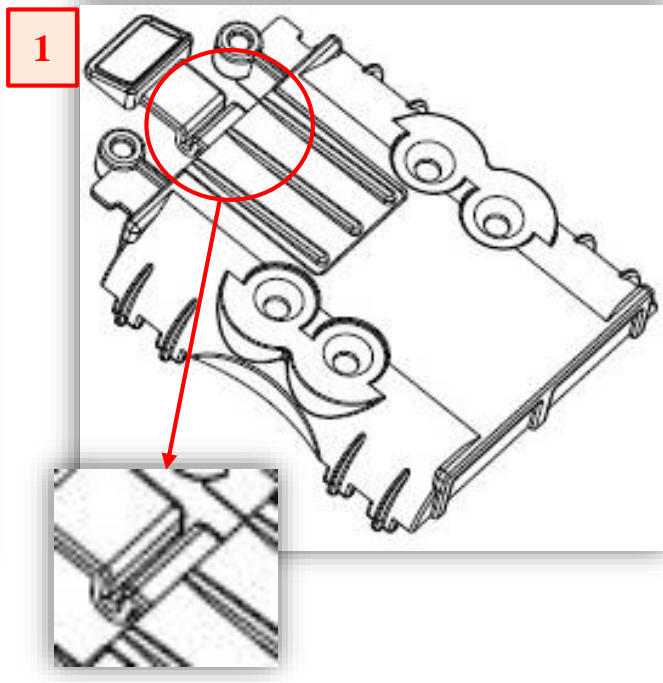
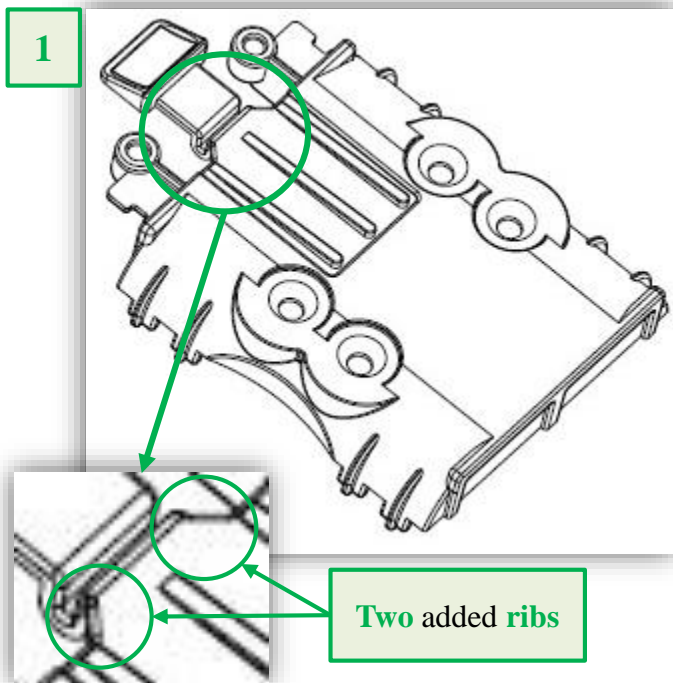
Be informed that with the aim to improve our equipment

MODIFICATIONS:

The **stiffness** of *upper cup holder block* has been improved by the addition of **two ribs** and a **material change**.

Modified upper cup holder block

Pre – modification upper cup holder block



2 New material: PA66

2 Pre – modification material: POM

➡ The *upper cup holder block* spare part code is not changed: **266952**

➤ **Machines concerned by modification from S/N 44021279.**

EXCHANGEABILITY:

For machines produced before S/N above it is possible to mount a **modified block**