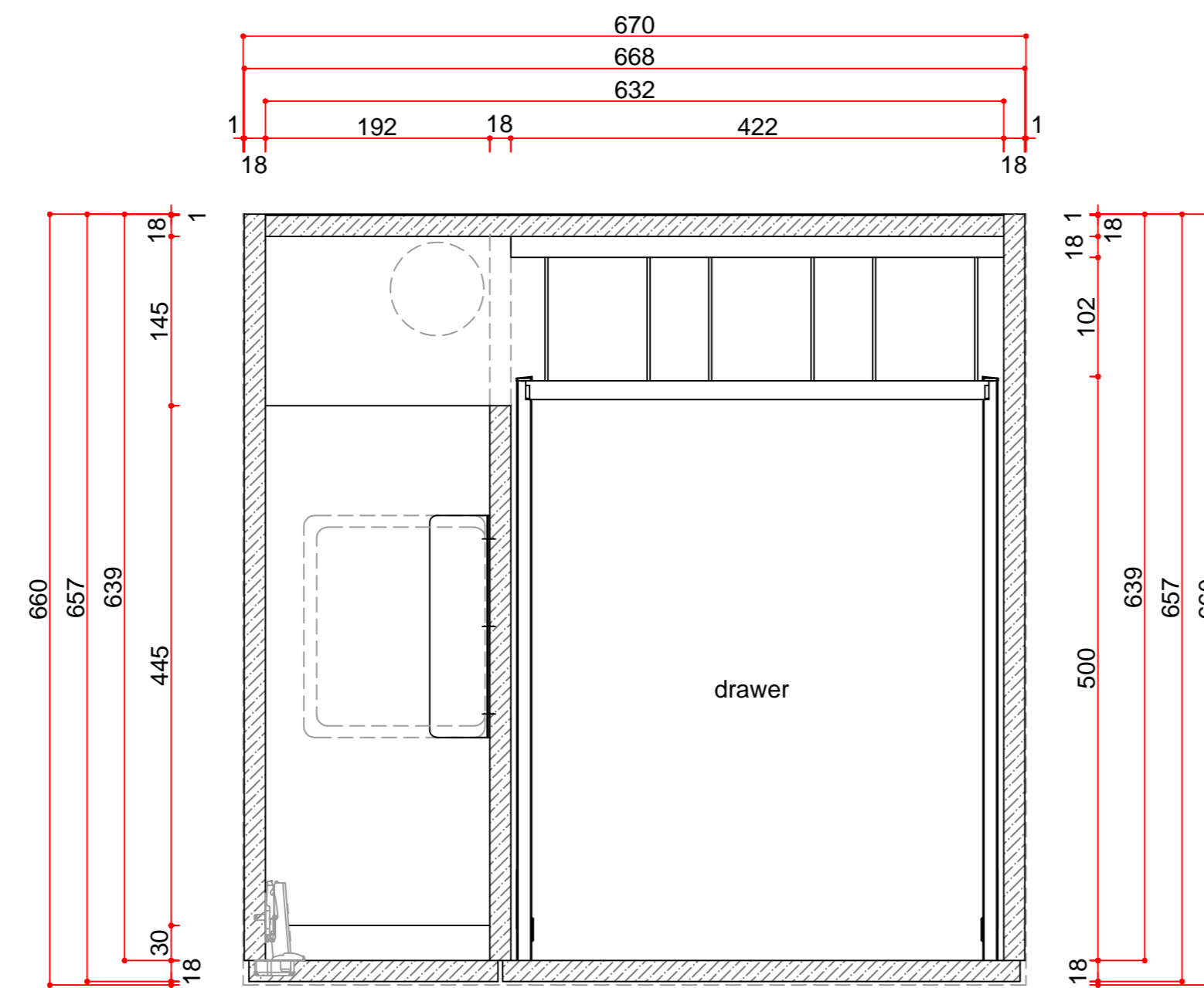
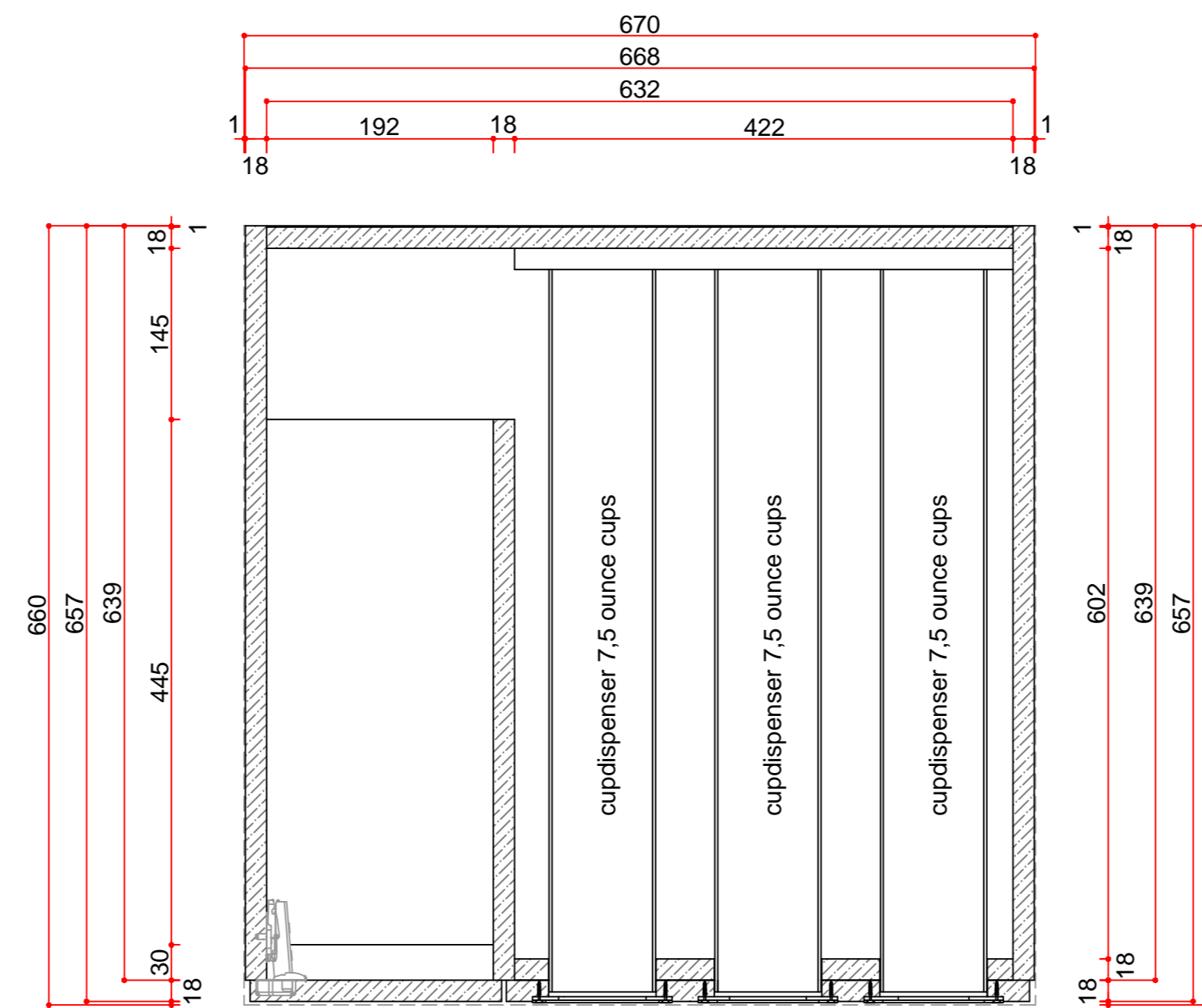


Top view



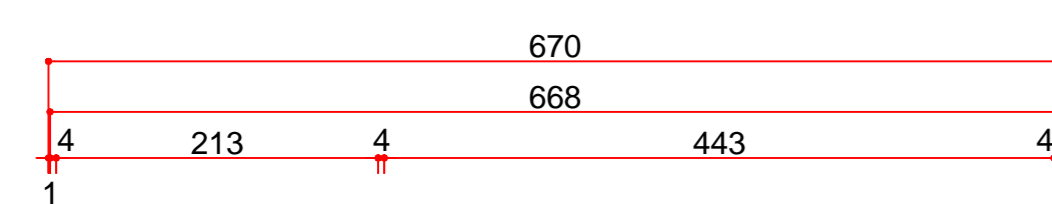
Horizontal section A-A



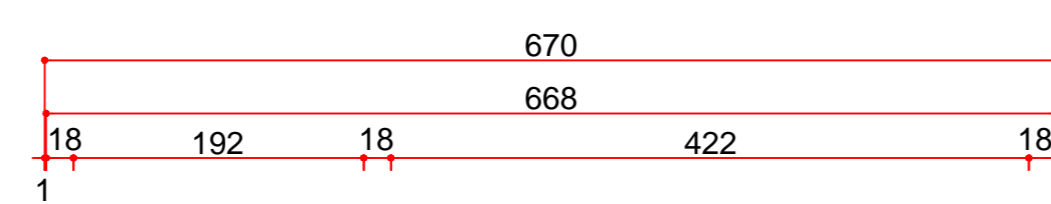
Horizontal section B-B



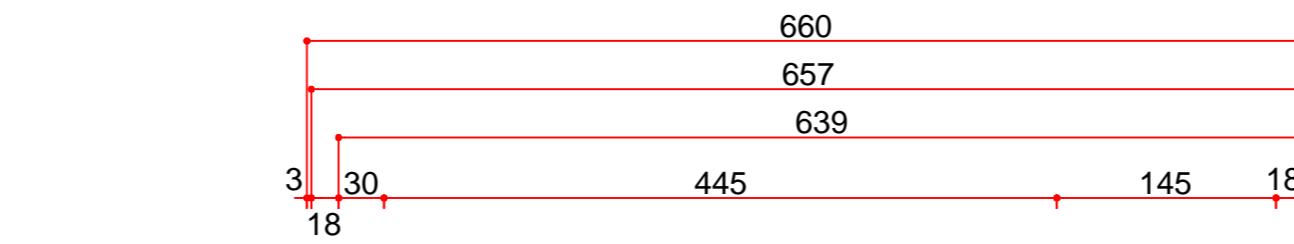
Cabinet_Strd_67_Black_3Disp_1Drwr



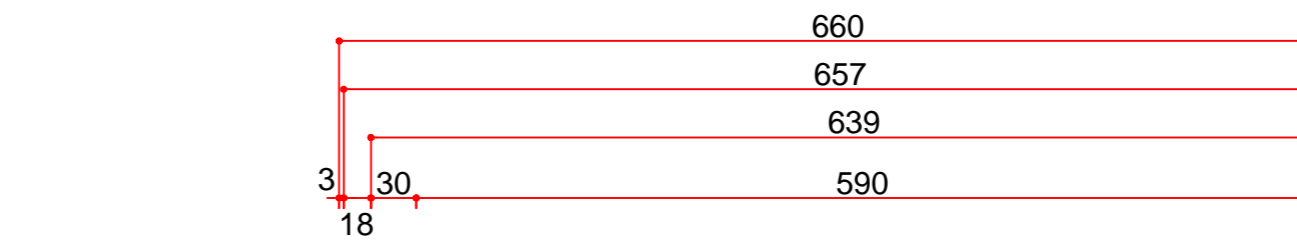
Front view



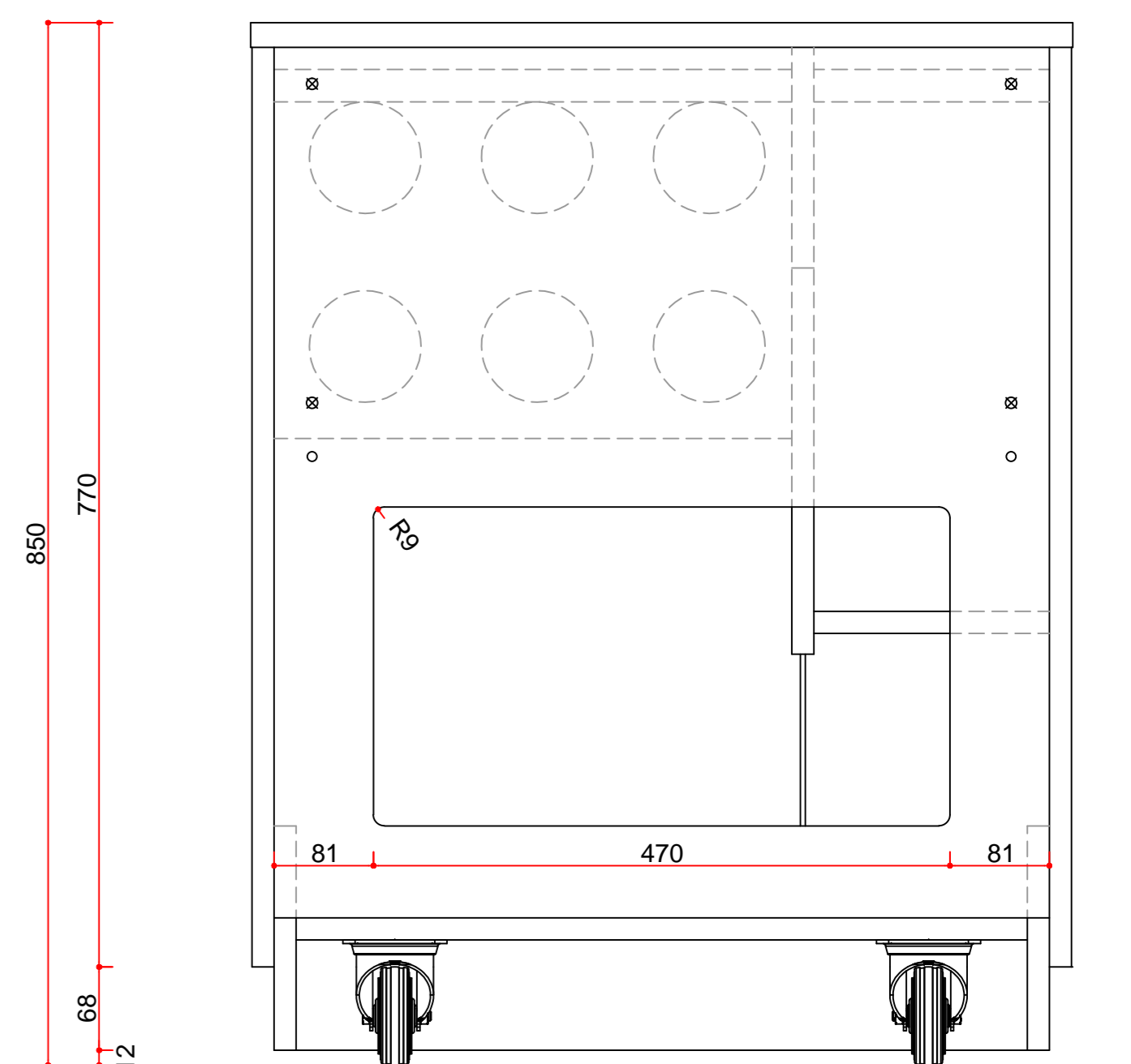
Front view without fronts



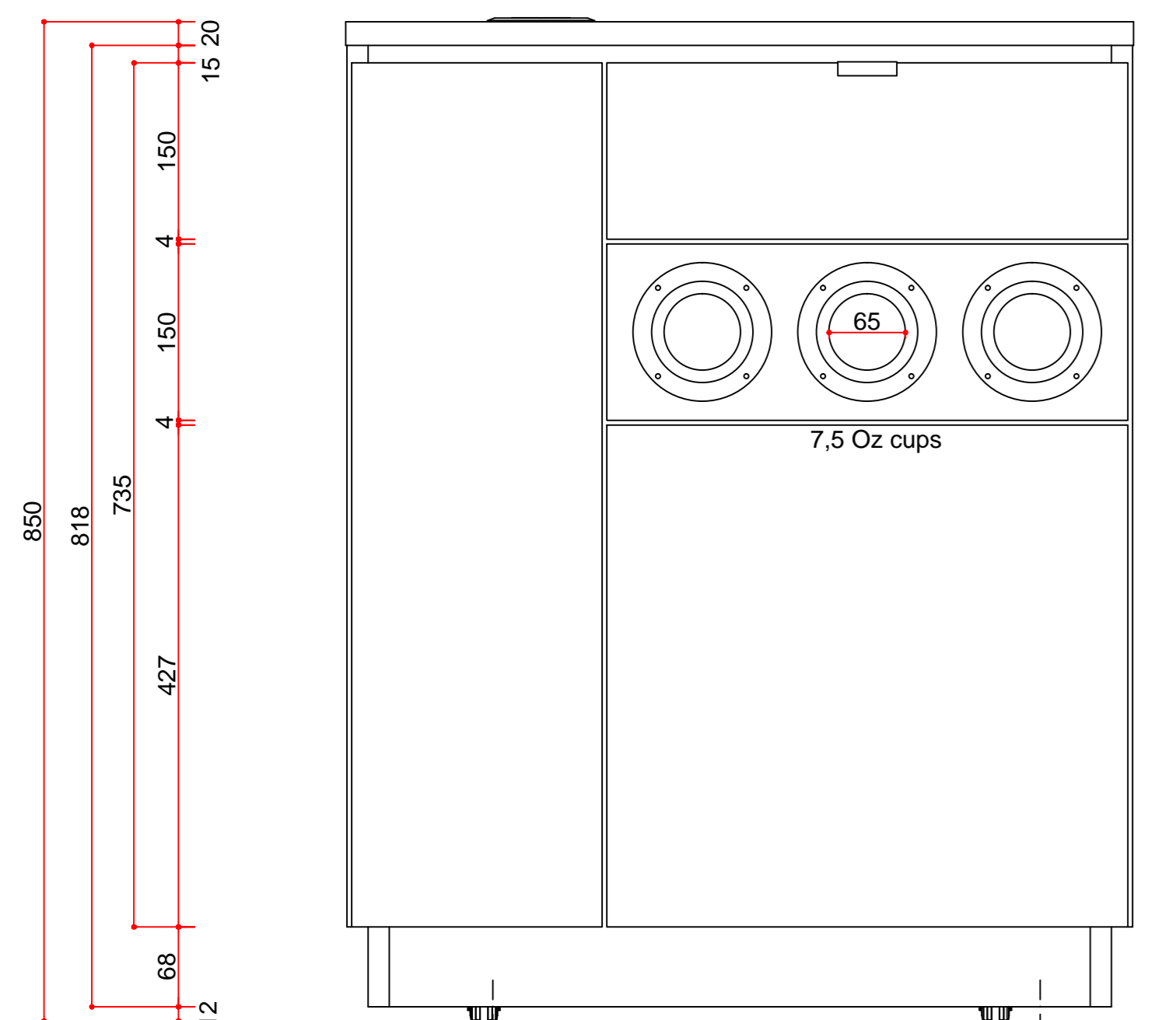
Vertical section C-C



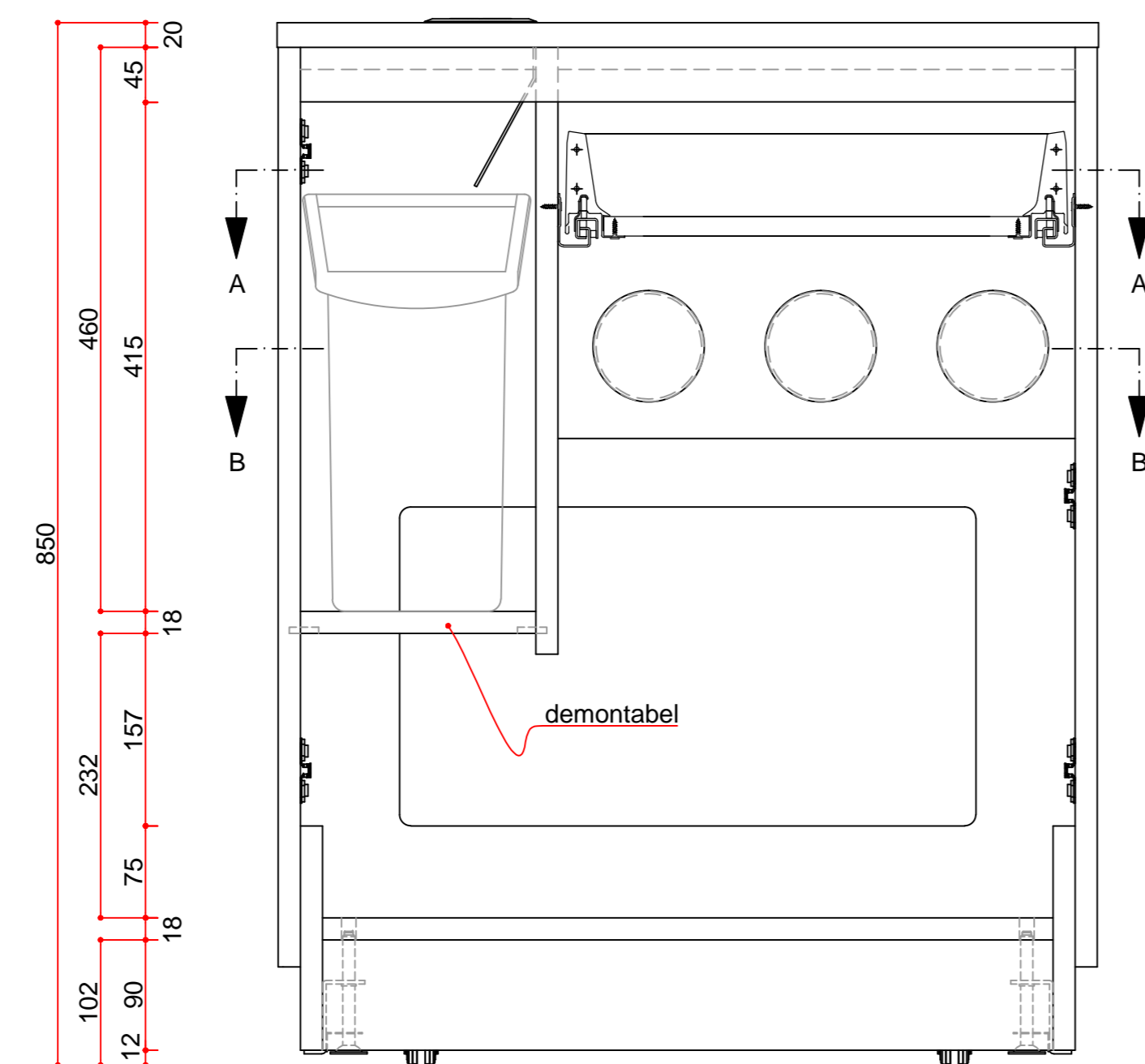
Vertical section D-D



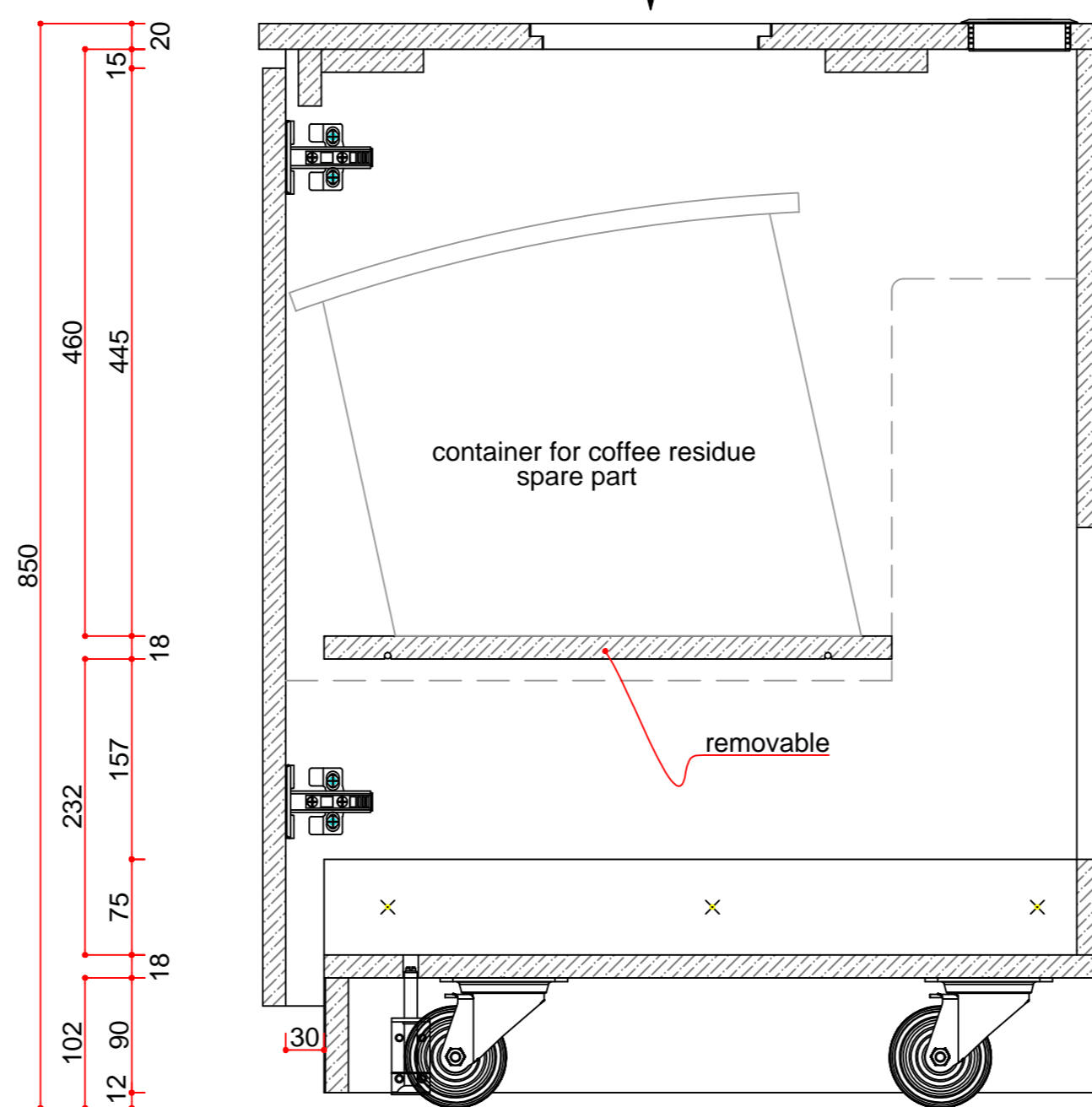
Back view



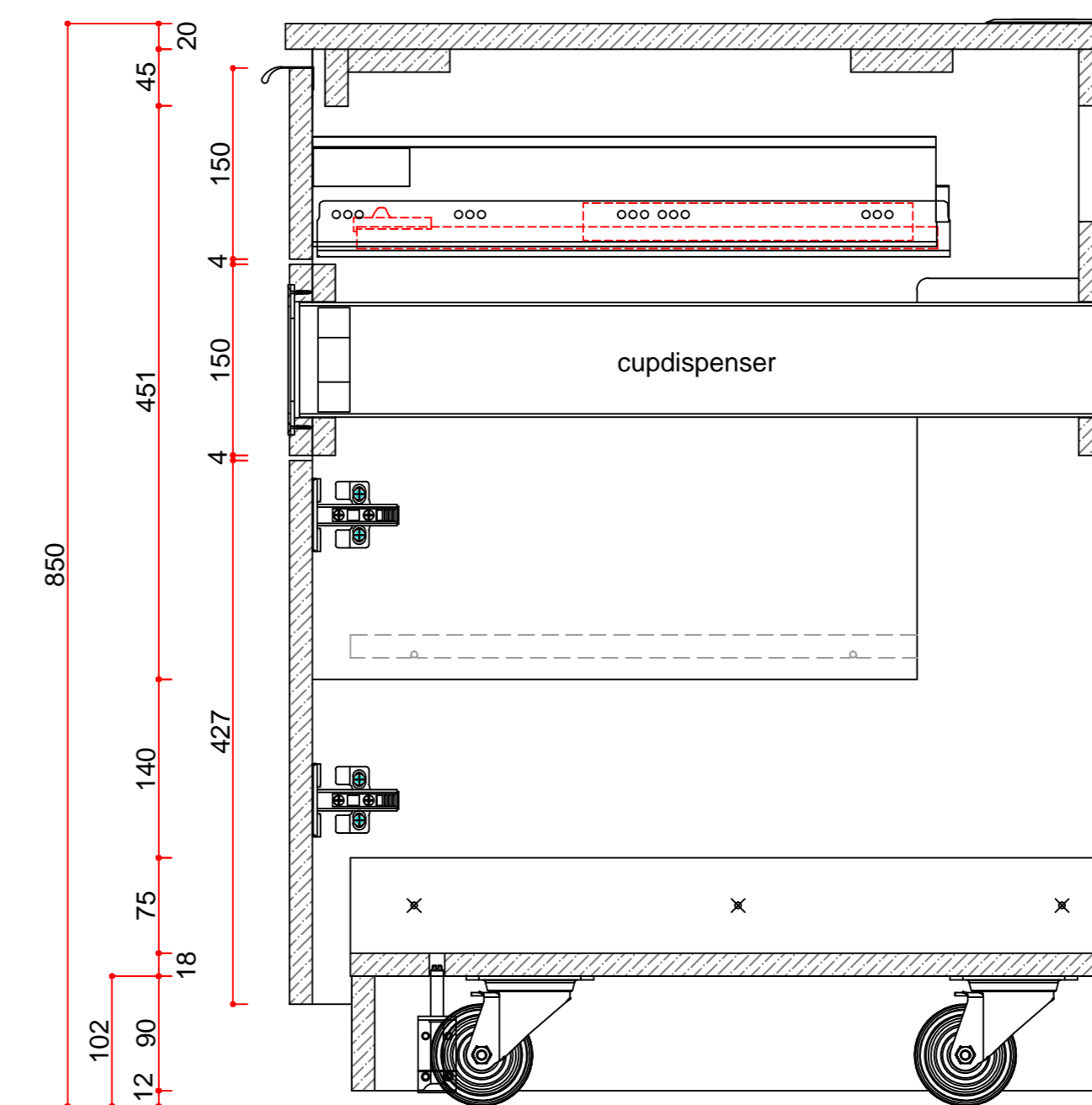
Front view



Front view without fronts



Vertical section C-C



Vertical section D-D

Materials	
Basic cabinet	Melamine chipwood Thermopal U12000 MP black, water resistant
Edges cabinet	ABS 1 mm, Thermopal U12000 MP black
Plinth cabinet	Melamine chipwood Thermopal U12000 MP black, water resistant
Fronts	Melamine chipwood Thermopal U12000 MP black
Edges fronts	ABS 1 mm, Thermopal U12000 MP black
Rings cupdispensers	Black plastic
Handgrip profile	Melamine chipwood Thermopal U12000 MP black, water resistant
Worktop	Black MDF water resistant, HPL Thermopal U12000 SD black
Edges worktop	ABS 1 mm, Thermopal U12000 MP black
Wheels	Castor wheels Blicke LPA-TPA 75G

Color Article Number:

Black 2020100022

FINAL PRODUCTION DRAWING

Oprichtgever: Jacobs Douwe Egberts	Schaal:
Project: Standard cabinet 670 mm 3disp-1drwr	1:5
Betref: Standard cabinet 670 mm 3disp-1drwr	Order:
Dat: 12-01-2021	Wijziging:
Formaat: A0	a 19-01-2021
Maat in mm	b
Get. J.D.	c

Finitonek