

<b>T.I. no.:</b> 2017 - 07 <b>Updated:</b> -	<b>Topic:</b> Ground coffee outlet discharge
---	--

<b>Date:</b> 17.05.2017
<b>Affected machines:</b> General
<b>From serial number:</b> 1717.../
<b>As of date:</b> CW17

Priority	
	High
	Medium
X	Low

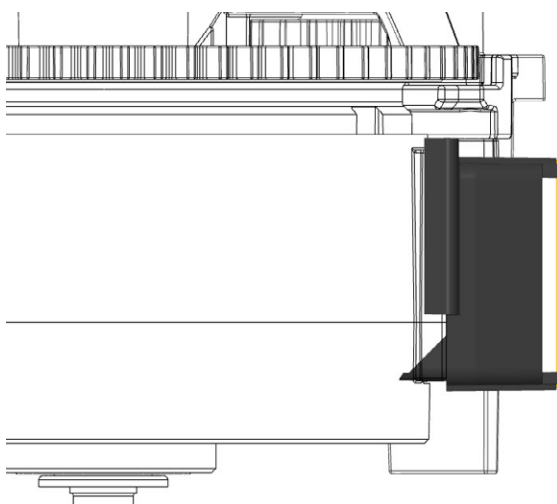
Need for action	
	As soon as possible
	On next visit to the machine
X	FYI only

## GROUND COFFEE OUTLET

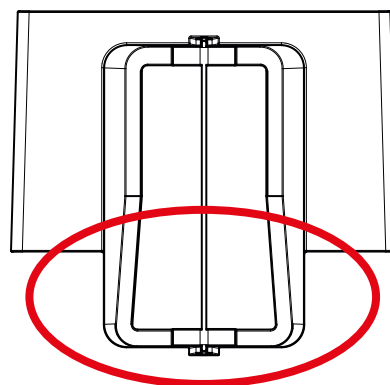
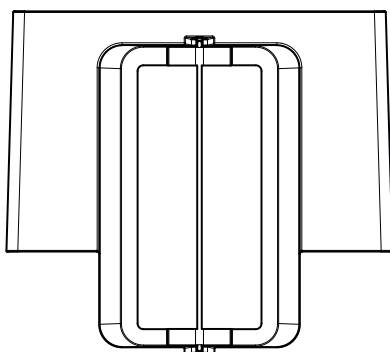
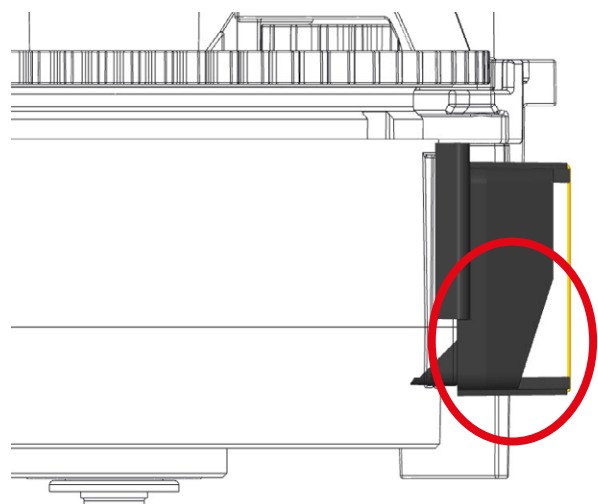
The ground coffee outlet can get clogged when certain coffee beans are used. To prevent clogging, the ground coffee outlet in the bottom area has been adapted to allow for discharge.

The revised ground coffee outlet (070066) is being used in all machines from SN 1717.../.

Old



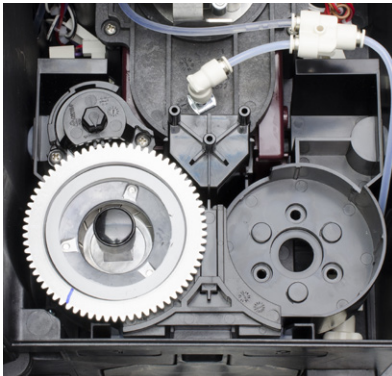
New



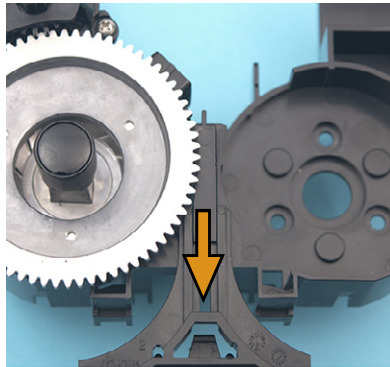
## Replacing ground coffee outlet

The grinder must be removed to replace the outlet.

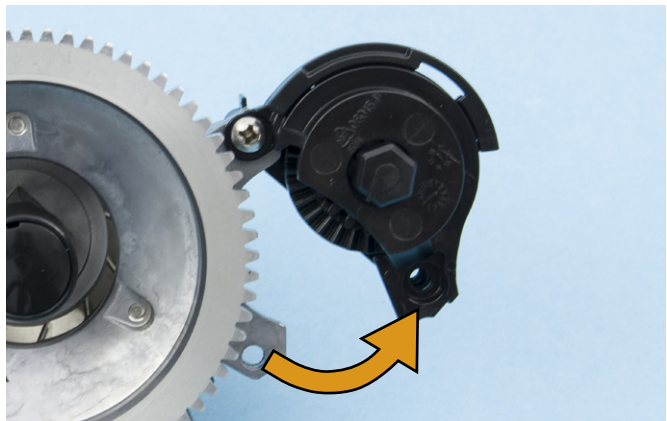
1. Disassemble the machine lid.
2. Remove the cover.



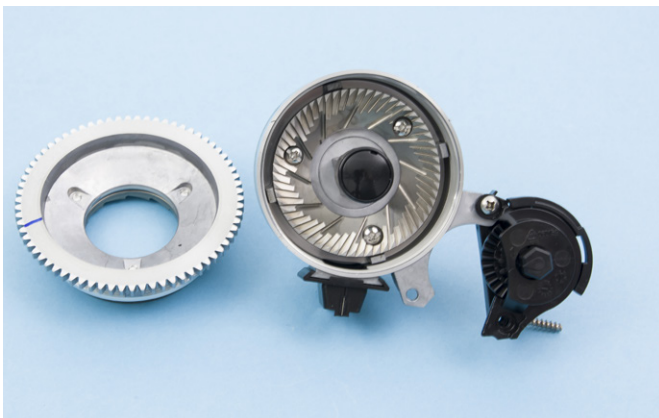
3. Lever out the grinder assembly.
4. Release the locking mechanism.



5. Remove the grinder.
6. Make a mark / Remember the position.



9. Disassemble the grinder.
10. Note the number of revolutions to ensure the grind level is correct at the end.



11. Remove the ground coffee outlet upwards.
12. Insert the new ground coffee outlet.



13. Reattach the grinder and cover.