

<b>T.I. no.:</b> 2017 - 18 <b>Updated:</b> -	<b>Topic:</b> Hopper for grounds chute
---	--

<b>Date:</b> 18.09.2017
<b>Affected machines:</b> SCP
<b>From serial number:</b> 1434.../
<b>As of date:</b> CW 38

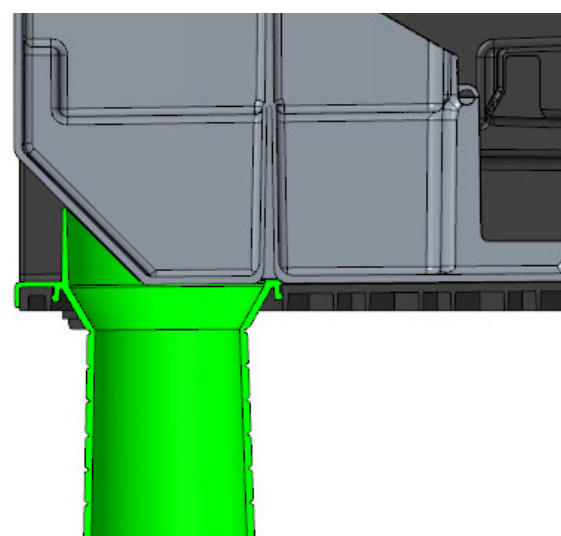
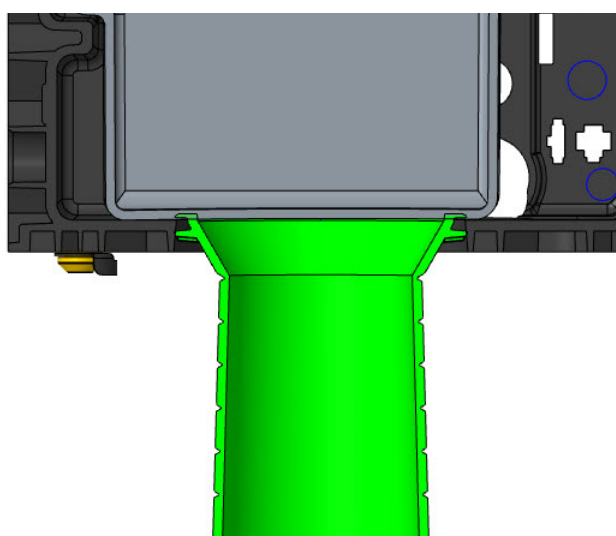
Priority	
	High
	Medium
X	Low

Need for action	
	As soon as possible
	On next visit to the machine
X	FYI only

## HOPPER FOR GROUNDS CHUTE (074652)

A hopper for the grounds chute is available for machines from serial number 1434../ under part no. 074652 starting in CW xy. The hopper prevents machine contamination caused by coffee grounds. The grounds chute kit (065765) has been expanded and also contains the hopper.

If necessary, the hopper can also be shortened at the designated points.



## Mounting hopper

The following describes how to mount the hopper. No tools are needed.

- ▶ Remove drip tray and grounds container.
- ▶ Insert hopper.



- ▶ Reattach grounds container and drip tray.

