

<b>T.I. no.:</b> 2017 - 19 <b>Updated:</b> -	<b>Topic:</b> 30g brewing unit restrictor insert
---	--

<b>Date:</b> 26.09.2017
<b>Affected machines:</b> 30 g brewing unit
<b>From serial number:</b> 1734.../ (073250) and 1737.../ (073280)
<b>As of date:</b> -

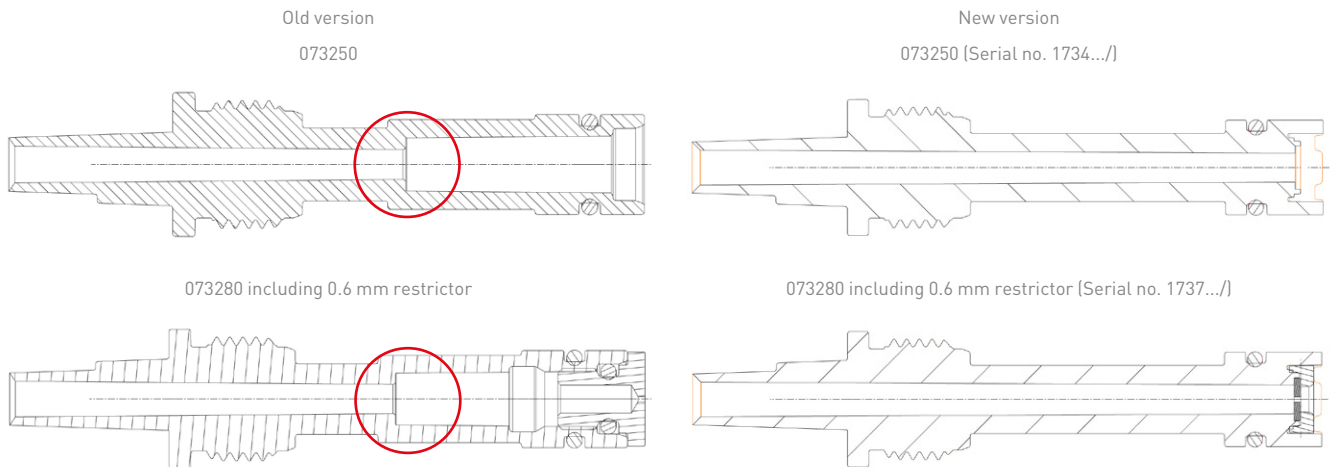
Priority	
	High
	Medium
X	Low

Need for action	
	As soon as possible
	On next visit to the machine
X	FYI only

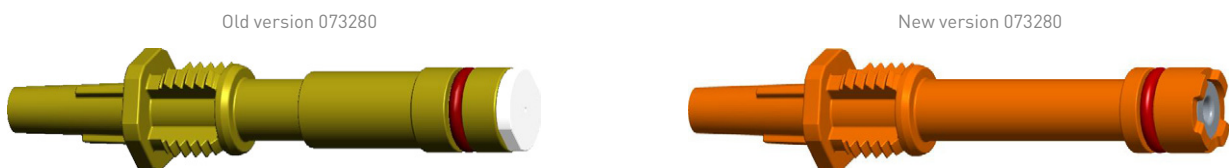
## RESTRICTOR INSERT

To counteract the contamination in the cavities and corners, the restrictor inserts (073250 and 073280) for the 30 g brewing unit have been redesigned.

A continuous channel prevents deposits caused by the omitted corners.



In addition, the 0.6 mm restrictor has now been integrated into the restrictor insert (073280).



The new restrictor inserts are replacing the previous version and can be found under the same product number. The restrictor inserts are already installed starting at serial no. 1734.../ (073250) and 1737.../ (073280).

(EN) This page is intentionally left blank.

(DE) Diese Seite wurde absichtlich frei gelassen.

(FR) Cette page est laissée vide intentionnellement.

(ES) Esta página se dejado en blanco intencionalmente.