

T.I. no.: 2019 - 12 Updated: 21.02.2020	Topic: New mixing cup and complete mixing unit
--	--

Date: 19/7/2019	Priority	Need for action
Affected machines: SCP	High	As soon as possible
From serial number: See note below	Medium	On next visit to the machine
As of date: See note below	X Low	X FYI only

NEW MIXING CUP


DESCRIPTION OF THE PROBLEM

The previous mixing cup **072817** has been optimized to prevent clogging and water running over. The complete mixer unit **072743** will also not be available as a spare part in the future.


SOLUTION TO THE PROBLEM

The old mixing cup **072817** is being replaced by a new mixing cup **072079**.


The old complete mixing unit **072743**, which can no longer be ordered as a spare part, is being replaced by the new complete mixing **072078**.

 **BACKWARD COMPATIBILITY OF NEW MIXING CUP 072079**

The new mixing cup **072079** requires the new motor with the short shaft and is therefore **not** backward compatible with the old mixing unit **072743**.

 **BACKWARD COMPATIBILITY OF NEW COMPLETE MIXING UNIT 072078**

The new complete mixing unit **072078** contains a motor with a shorter shaft. The new mixer unit **is** backwards compatible.

 **BACKWARD COMPATIBILITY OF OLD MIXING CUP 072817**

The previous mixing cup **072817** is still available as a spare part for the **old** version **072743**.

Notes on availability

The stocks of the complete mixer unit 072743 will be used.

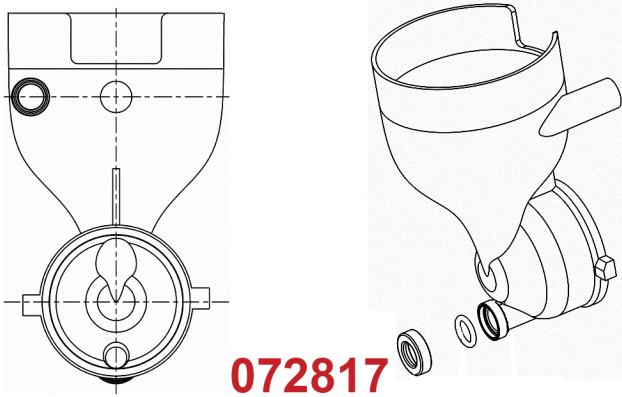
Overview of compatibility

COMPATIBLE	NON-COMPATIBLE
072743 + 072817	072743 + 072079
072078 + 072079	
072078 + 072817	

► See "Display and overview of the old and new parts" on page 2.

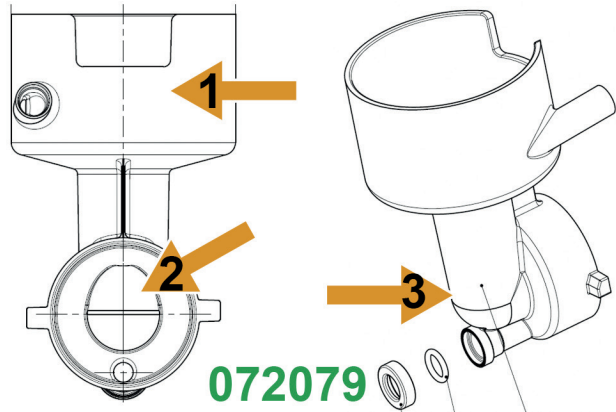
Display and overview of the old and new parts

Mixing cup old 072817



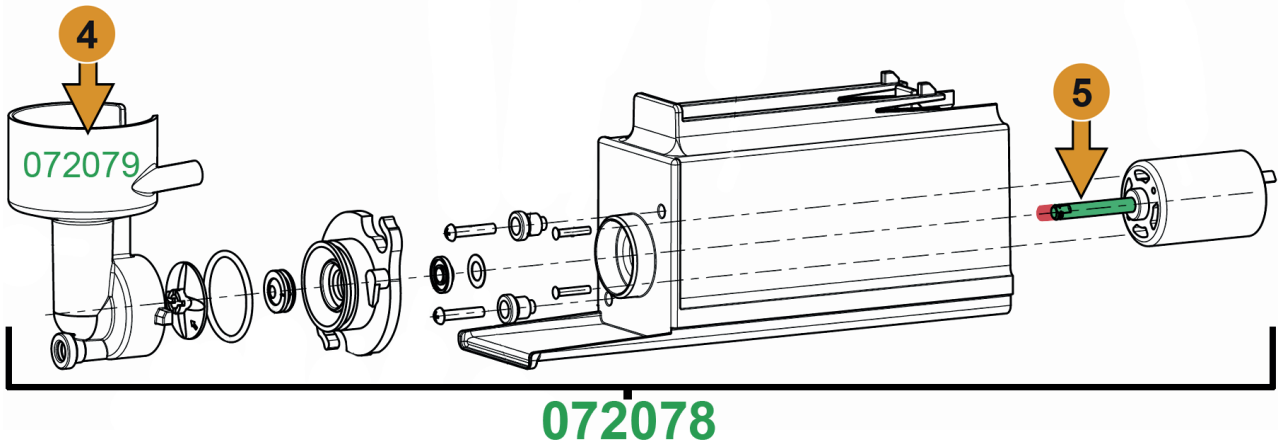
- Mixing cup with large radius
- Direct mixing chamber
- Non-optimal mixing chamber

Mixing cup new 072079



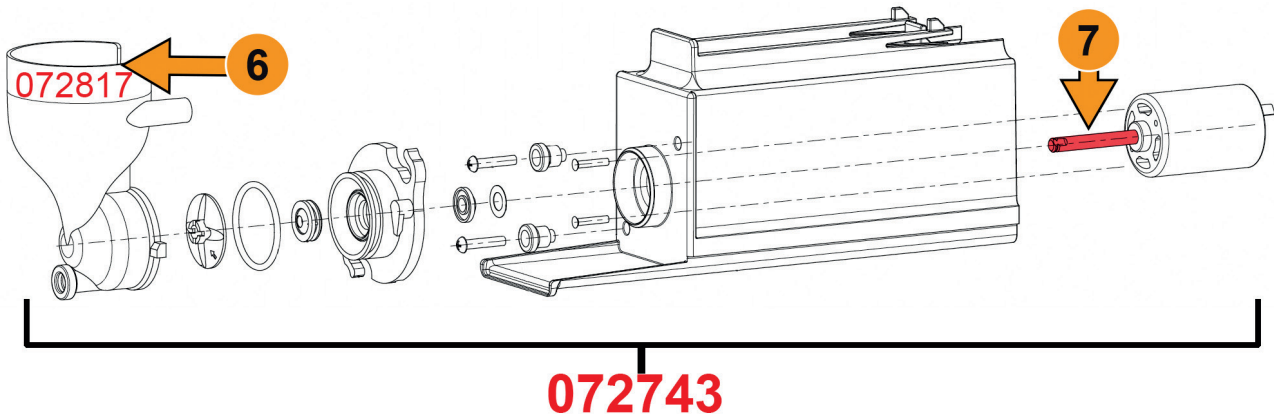
1. Mixing cup with small radius and cylindrical shape
2. Indirect mixing chamber
3. Optimised mixing chamber

Complete mixing unit new 072078



4. New mixing cup 072079
5. Mixer motor with short shaft

Complete mixing unit old 072743



6. Old mixing cup 072817
7. Mixer motor with long shaft