

T.I. no.: 2019 - 19 Updated: -	Topic: User panel with rotation damper SCSoul
-------------------------------------------------	------------------------------------------------------

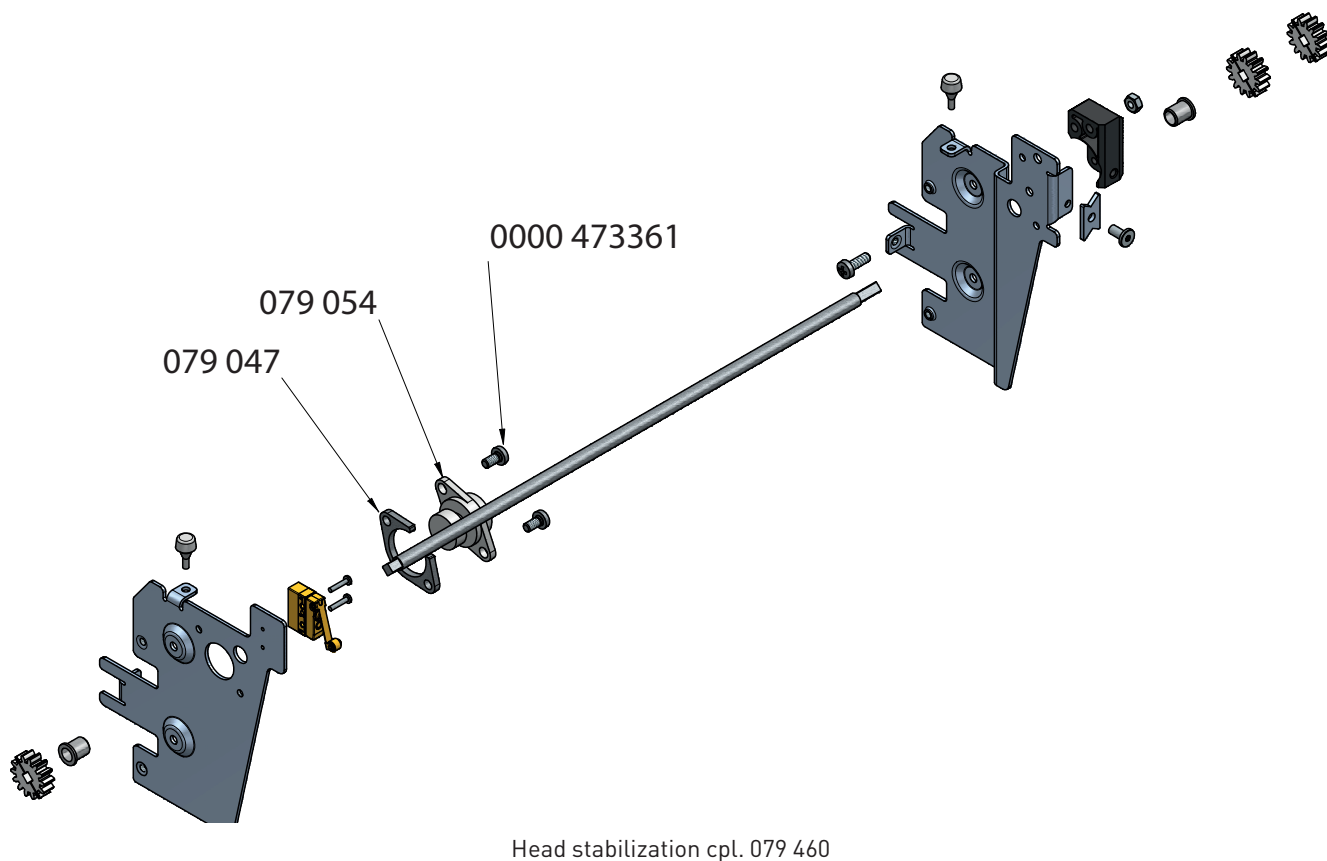
Date: 26.11.2019	Priority	Need for action
Affected machines: SCSoul	High	As soon as possible
From serial number: 1846 /	Medium	X On next visit to the machine
As of date: Immediately	X Low	FYI only

IMPROVEMENTS

The lowering device of the user panel is now equipped with the rotation damper **079 047**. The rotation damper reduces the lowering speed of the panel, so the downward movement of the user panel is smoother.

This technical change concerns the following machines

- Schaerer Coffee Soul from week 46/2018 onwards



Parts required for the conversion

Article number	Designation
079 054	Rotation damper PB
079 047	Spacer
0000 473 361	Pan head screw M4x8 Inox

NOTE

A rotation damper can be installed with the SCSoul from week 46/2018 onwards. On machines from week 46/2018 onwards, the larger **hole (A)** and the two **M4 threaded holes (B)** in the side plate are already present for fastening the rotation damper and spacer.

This conversion will be carried out at customers on a goodwill basis up to the end of March 2020.

