

<b>T.I. No.:</b> 2020-18 <b>Update:</b> -	<b>Topic:</b> Flow meter (Generation 2020)
--	--

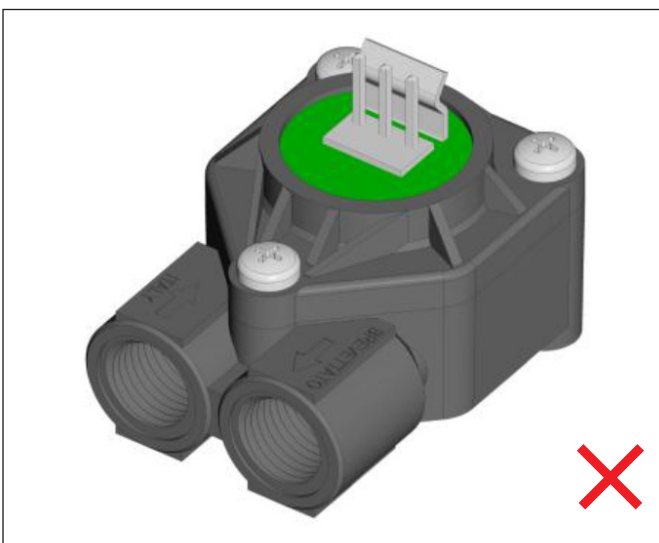
<b>Date:</b> 08.06.2020
<b>Affected machines:</b> SPCE, SPCC & SCSoul
<b>From serial number:</b> 20 21 xxx xxx
<b>As of date:</b> 18.5.2020

Priority	
	High
	Medium
x	Low

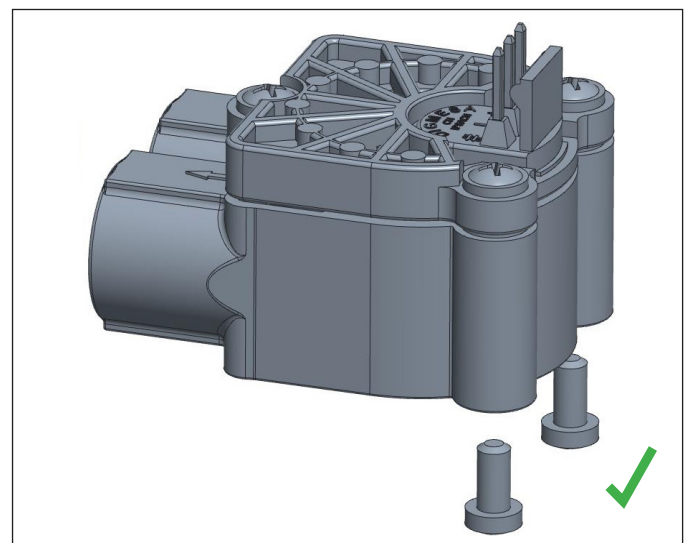
Need for action	
	As soon as possible
	On next visit to the machine
x	FYI only

## NEW FLOWMETER

All coffee machines from serial number 2021 onwards are equipped with a new flow meter (060399). The new flow meter is suitable for existing coffee machines.



Previous flow meter (33.2263.8100)



New flow meter (060399)

### IN REPLACEMENT

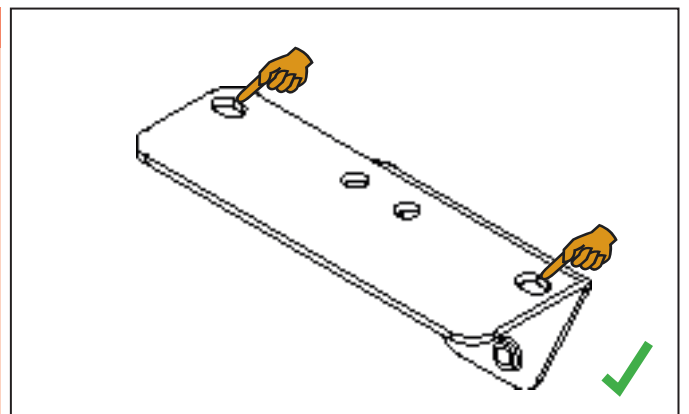
On machines with a serial number before 2021 xxx xxx, the mounting plate (067083) with 2 oblong holes is required in case of replacement.

The following spare parts are available:

- New flow meter (060399)
- Mounting plate flow meter (067083)

Further variants are possible for:

1. 2-Boiler-Maschine = Mounting plate flow meter & 1 flow meter (079592)
2. 3-Boiler-Maschine = Mounting plate flow meter & 2 flow meter (067082)



Mounting plate flow meter (067083)