

T.I. no.: 2023-25 Updated: -	Topic: Product Optimisation O-Ring on NTC Steam & Hot Water Boiler
--	---

Date: 24.11.2023	Priority	Need for action
Affected machines: Schaerer Coffee Club	<input checked="" type="checkbox"/> High	<input type="checkbox"/> As soon as possible
From serial number: 78793 ff.	<input type="checkbox"/> Medium	<input checked="" type="checkbox"/> On next visit to the machine
Start date: immediately	<input type="checkbox"/> Low	<input type="checkbox"/> FYI only

Reason for change

In a few cases, reports came from the field stating that the safety temperature limiter on the steam or hot water boiler was exhibiting electrical smouldering. This was caused by a leaking O-ring on the temperature sensor (NTC) and a not fully attached protective sleeve on the steam boiler. As a result, dripping water could get under the protective sleeve of the steam boiler and between the electrical contacts, triggering the smouldering.

To prevent leaks, the material of the NTC O-ring has been changed. The blue colour is a clear distinguishing feature.

Series and spare parts solution

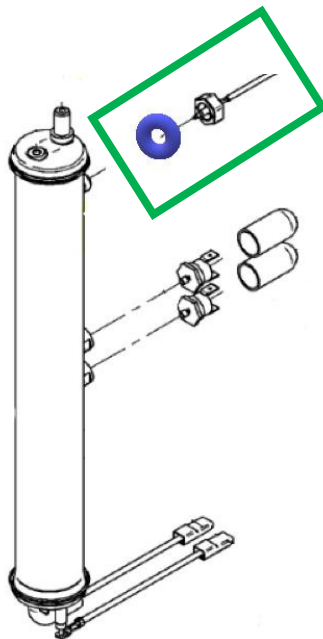


Figure 1: O-ring position

The new O-ring (blue) was introduced in series production in steam and hot water boilers with the following serial number and modification status:

- Schaerer Coffee Club
- SN 78793 ff.
- Modification 4

Order the new O-ring in sufficient quantities for installation in the described positions and machine types and mark the modification status on the provided modification sticker.

- Article number: New O-ring **33.4441.6000** (blue)

The previously used O-ring **33.2534.8000** (black) is still used in various places. This means any existing stock can be used up.

During the next visit for the **Schaerer Coffee Club** machine type, the new O-ring **33.4441.6000** must be retrofitted on the temperature sensor (NTC) in the steam and hot water boilers and the modification status marked as a clear distinguishing feature.

Installation



GENERAL SAFETY NOTES

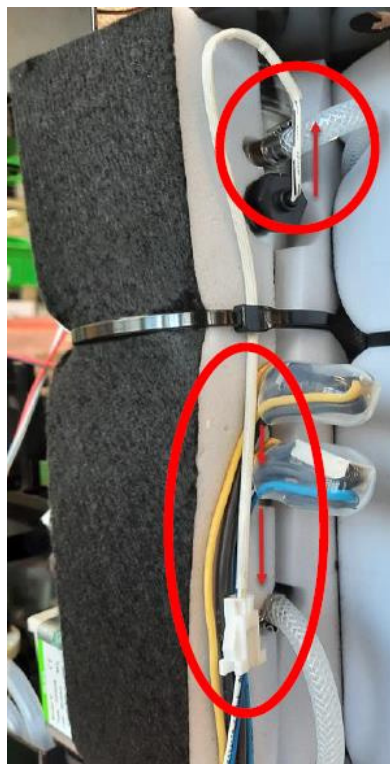
Before opening, repairing or performing maintenance work on the coffee machine, always ensure that the local and national safety and hazard instructions are known and observed!

- ▶ Wear the necessary personal protective equipment such as safety shoes, work gloves and protective goggles.
- ▶ Observe the following before and when carrying out service work:
 - > Perform a risk assessment.
 - > Perform a visual inspection.
 - > Provide sufficient lighting.
 - > Use suitable (professional) tools.
 - > Cover edges.
- ▶ Work carefully and observe the safety instructions.
- ▶ De-energise and depressurise the machine before starting work.

Steam boiler



Hot water boiler



Description

Observe to the following points during installation:

- ▶ Make sure that the NTC cable first bends upwards and is fastened with a cable tie.
- ▶ Push the protective sleeve onto both safety temperature limiters as far as it will go and guide the wires straight downwards.



Modifikationen				
(1)	(2)	(3)	4	5
6	7	8	9	10
11	12	13	14	15
16	17	18	19	20

- ▶ Write a number 4 on the **Modifications** sticker with a permanent marker. [Mod.4]

Stock of spare parts in the field

You must upgrade your warehouse stock of the following items to include the new (blue) O-ring **33.4441.6000** before installation in the machines.

Article number	Designation
33.4055.7000	HW boiler 230V AC 2kW 0.32L
33.4055.7199	HW boiler 230V AC 2kW 0.32L UK
33.4055.8000	HW boiler 120V AC 1.35kW 0.32L
33.4055.9000	HW boiler 100V AC 1.35kW 0.32L
33.4056.0000	ST boiler 230V AC 1.35kW 0.36L
33.4056.0199	ST boiler 230V AC 1.35kW 0.36L UK
33.4056.1000	ST boiler 120V AC 1.35kW 0.35L
33.4056.2000	ST boiler 100V AC 1.35kW 0.35L

Distinguishing feature: Steam and hot water boiler with new NTC O-ring:

Temporary sticker with lettering:

Long-term solution with laser printed letter:

O-ring FKM

-A-



STIEBEL ELTRON DD.MM.JJJJ
2000W 230V 0.32L/1.6 MPa
Max.-Temp.: 205 °C
Standard: AD 2000



STIEBEL ELTRON DD.MM.JJJJ
2000W 230V 0.32L/1.6 MPa
Max.-Temp.: 205 °C -A-
Standard: AD 2000

Service contact

Global Technical Support Team

GBU Professional Coffee Machines

- > Support hotline: +41 32 681 62 75 (10:00-11:30 a.m. CET/ 3:00-4:30 p.m. CET)
- > Support e-mail: technical-support@schaerer.com